

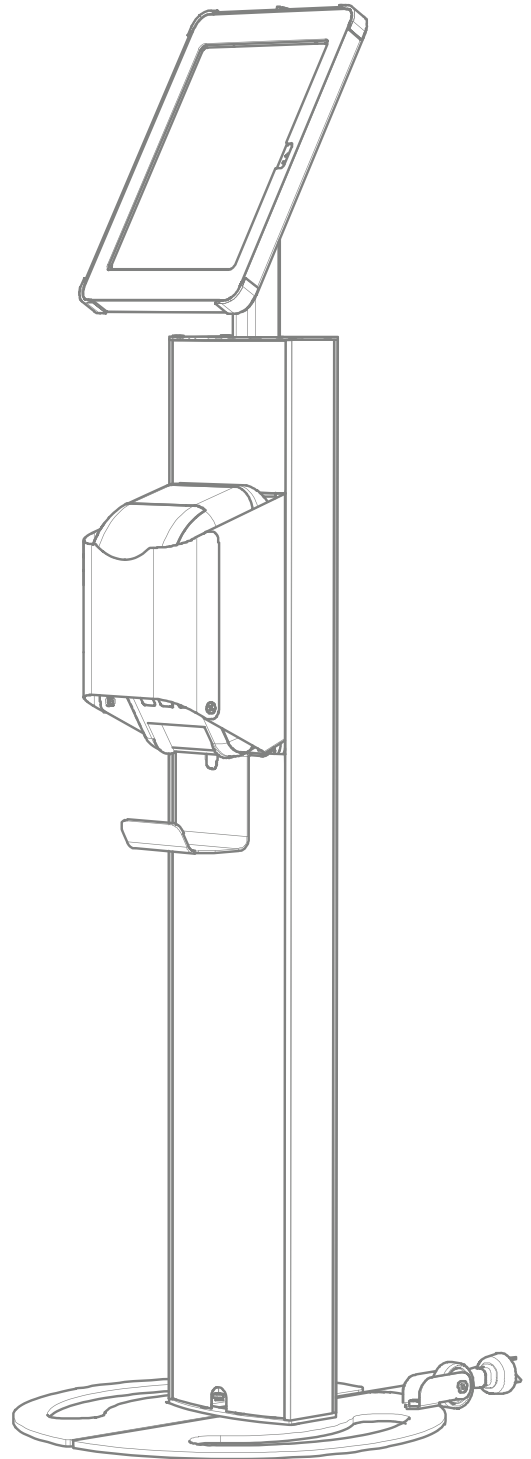


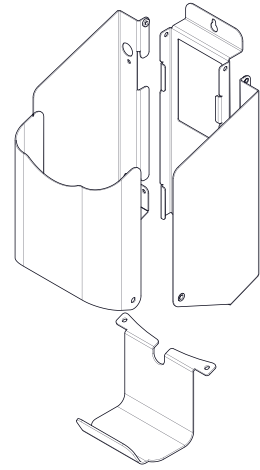
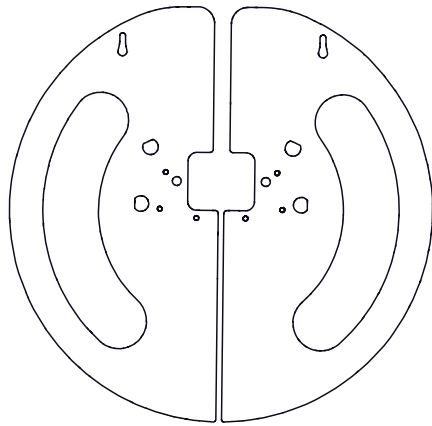
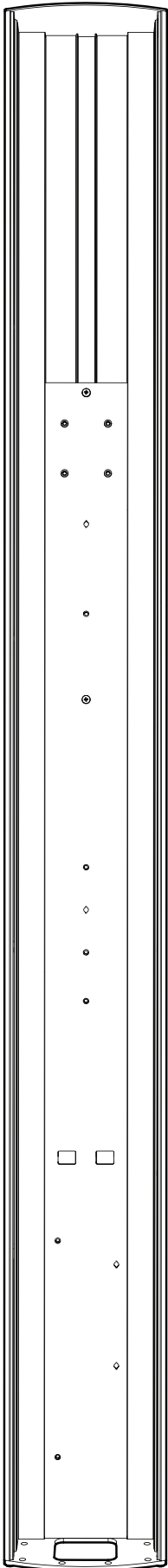
# Assembly Guide

---

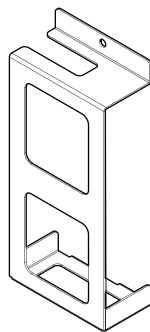
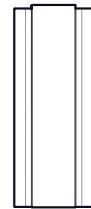
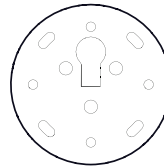
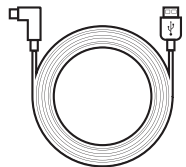
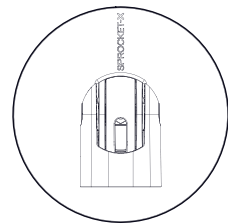
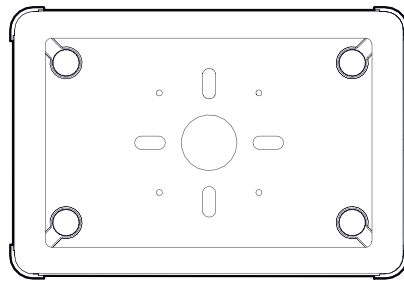
# T Series Print 10

Version 1.2



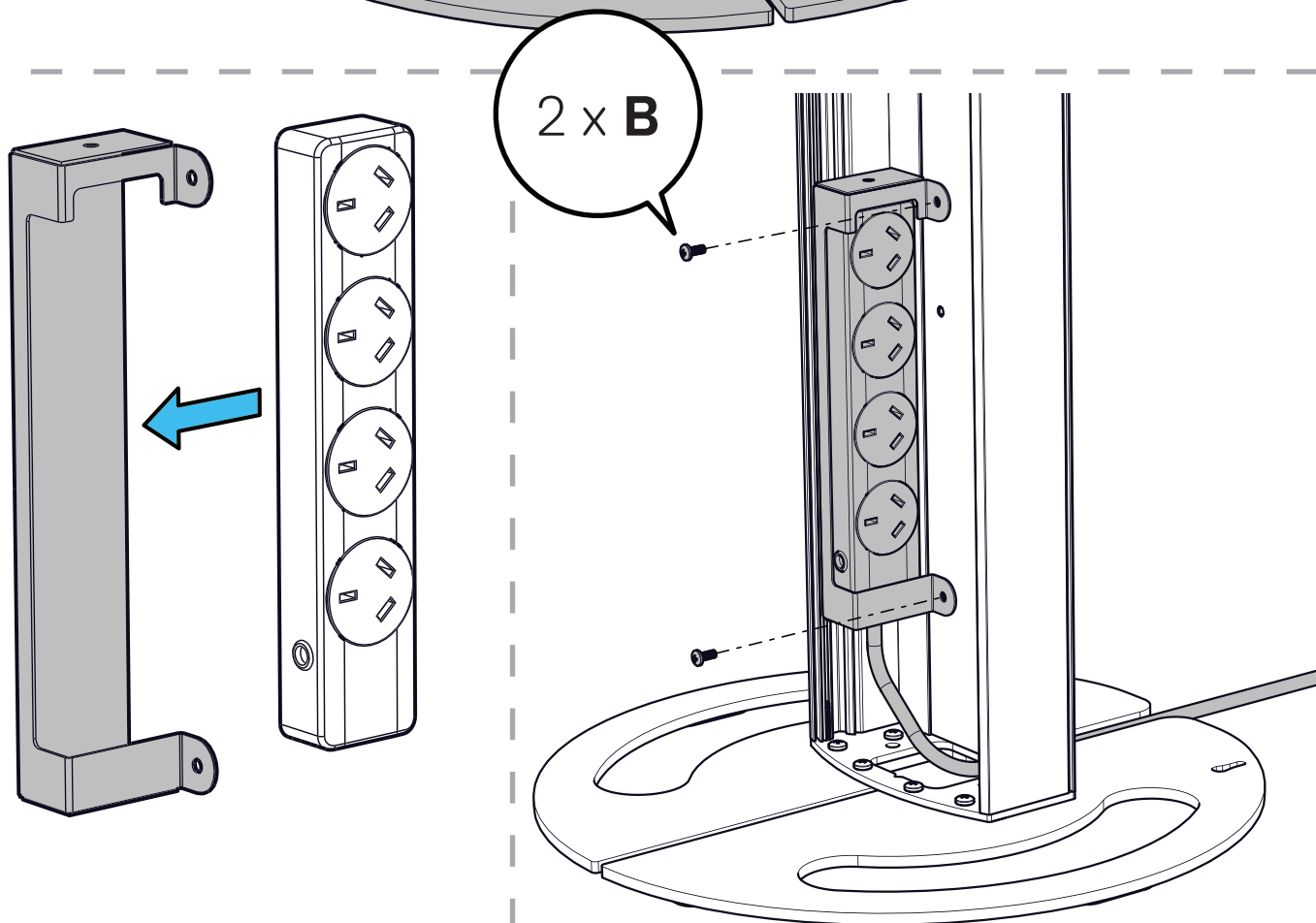
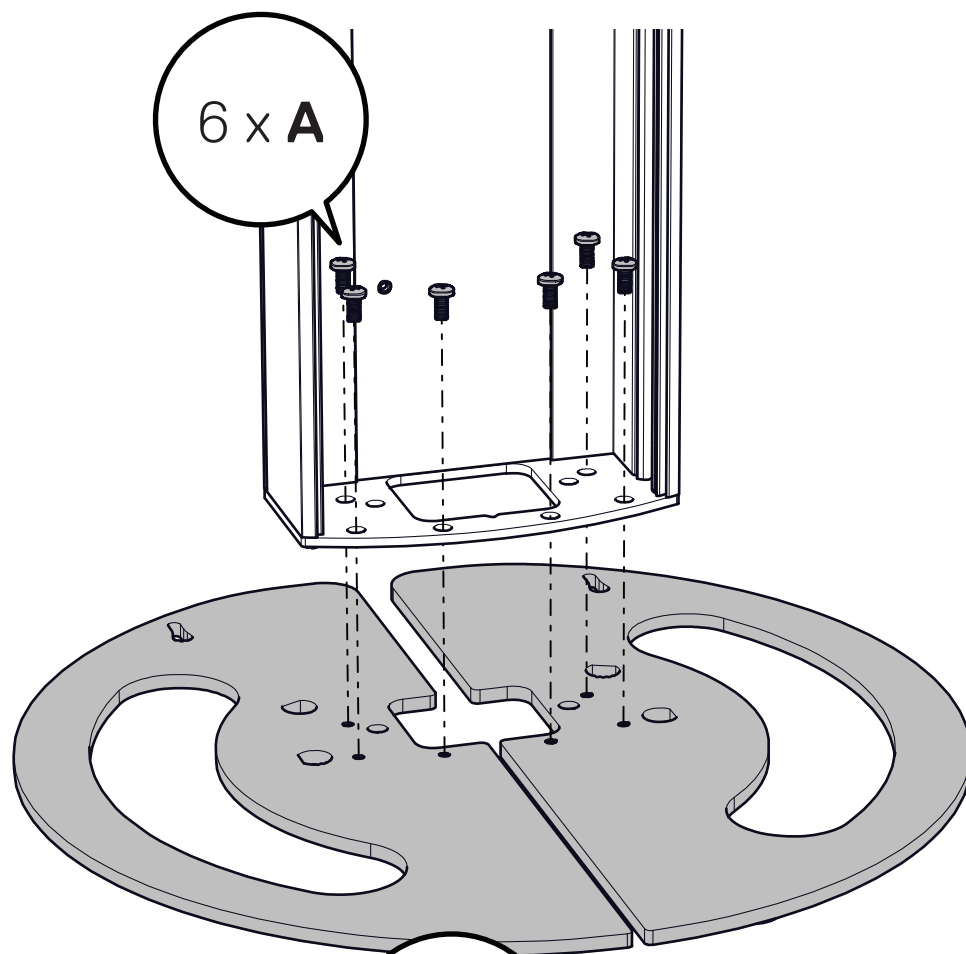


PA	PB	PC	PD
M3x8	M4x6	M5x8	M5 Nylon Washer
x4	x4	x2	x2

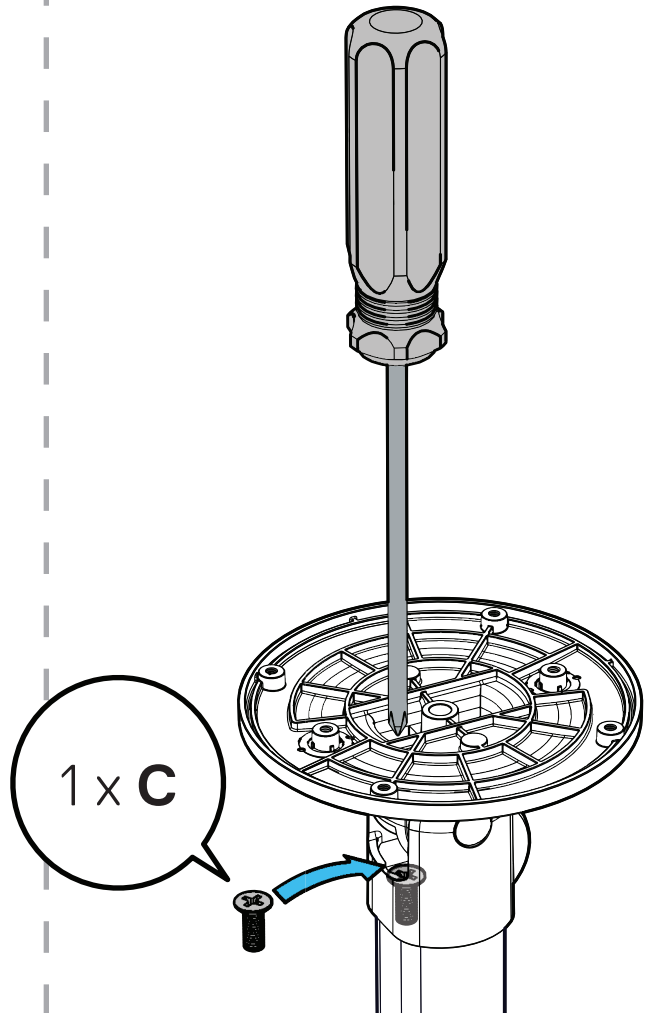
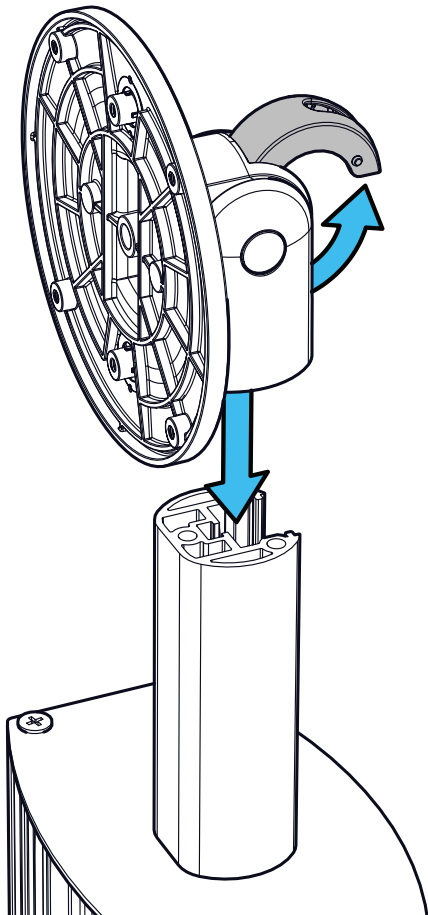
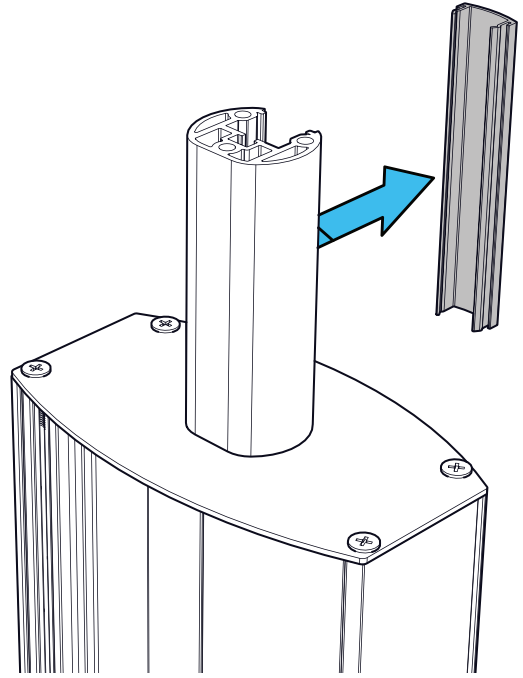
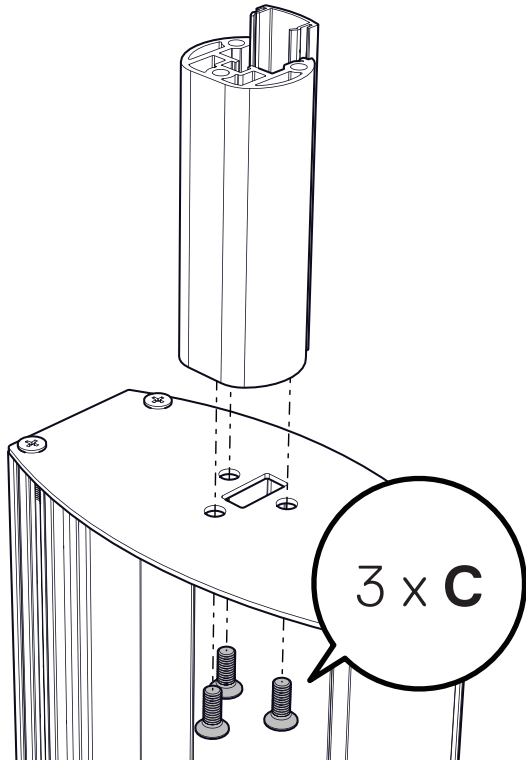


A	B	C	D	E	F	G
M5x10	M4x10	M6x16	M4x6	M3x8		10Gx25
x6	x9	x4	x4	x4	x1	x4

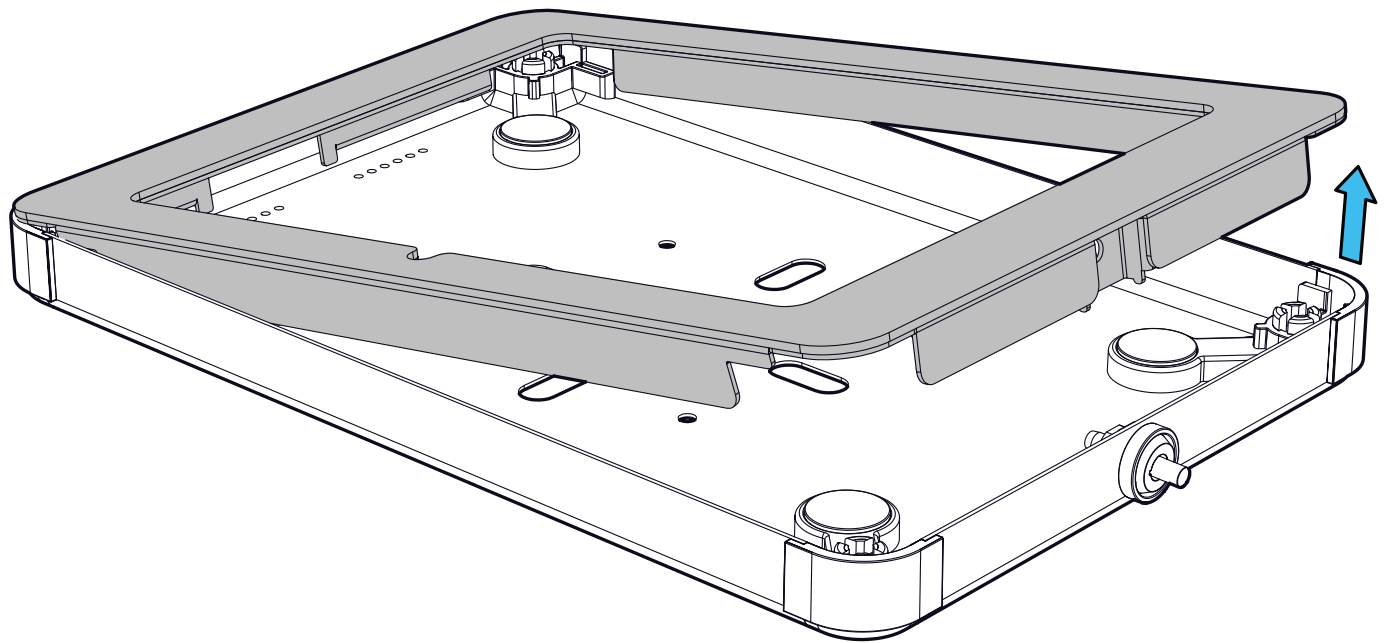
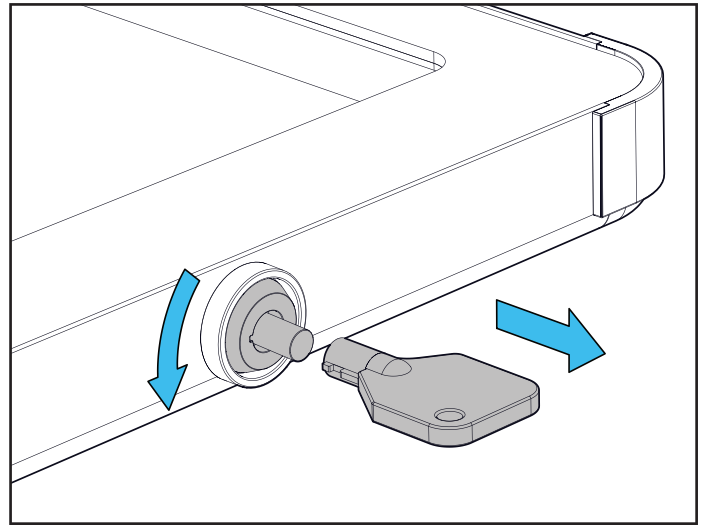
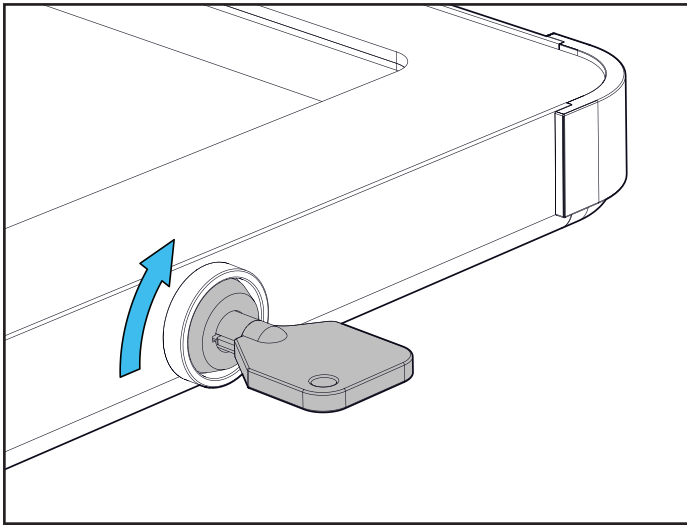
# STEP 1 /10



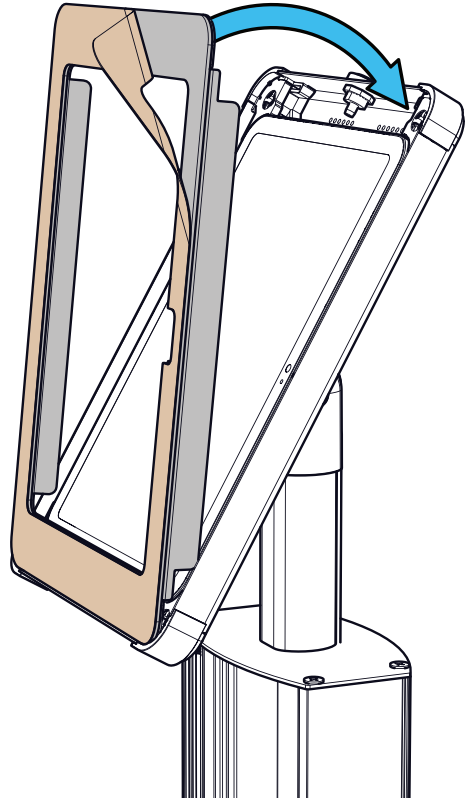
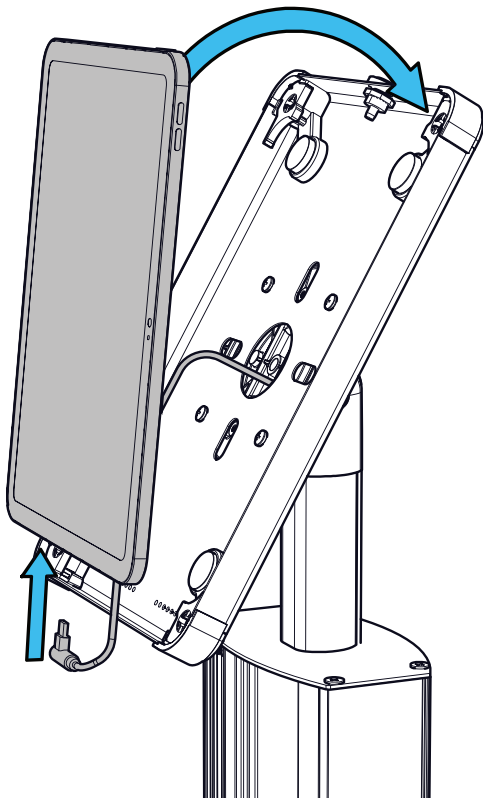
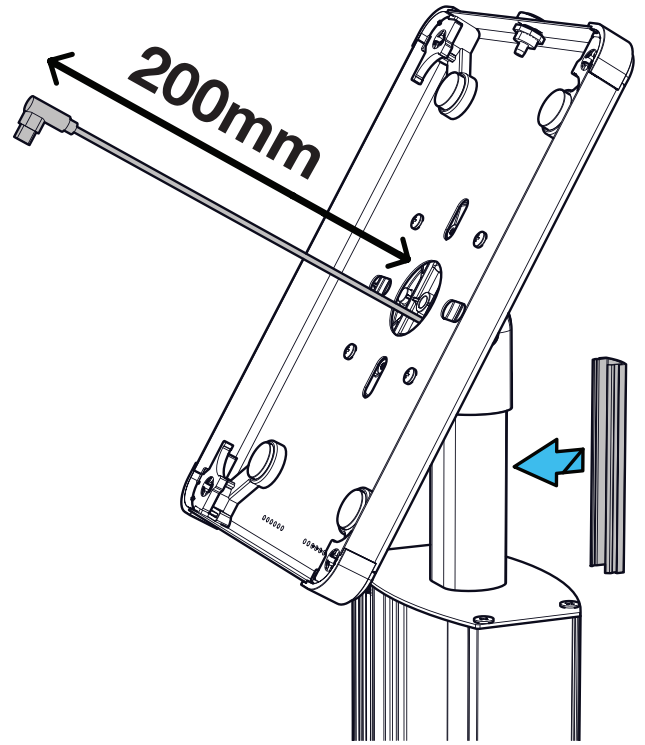
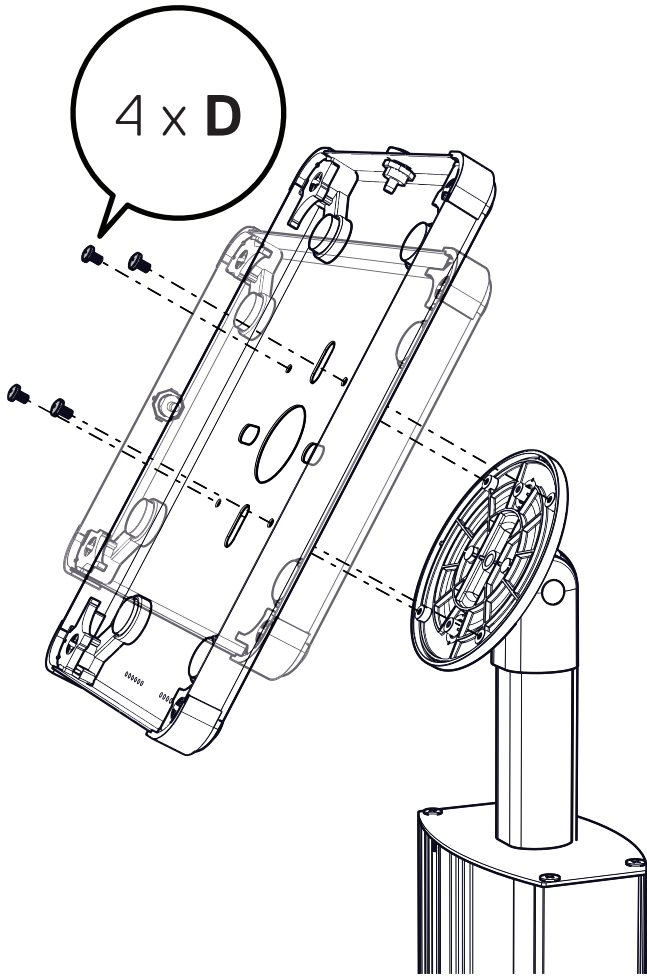
# STEP 2 /10



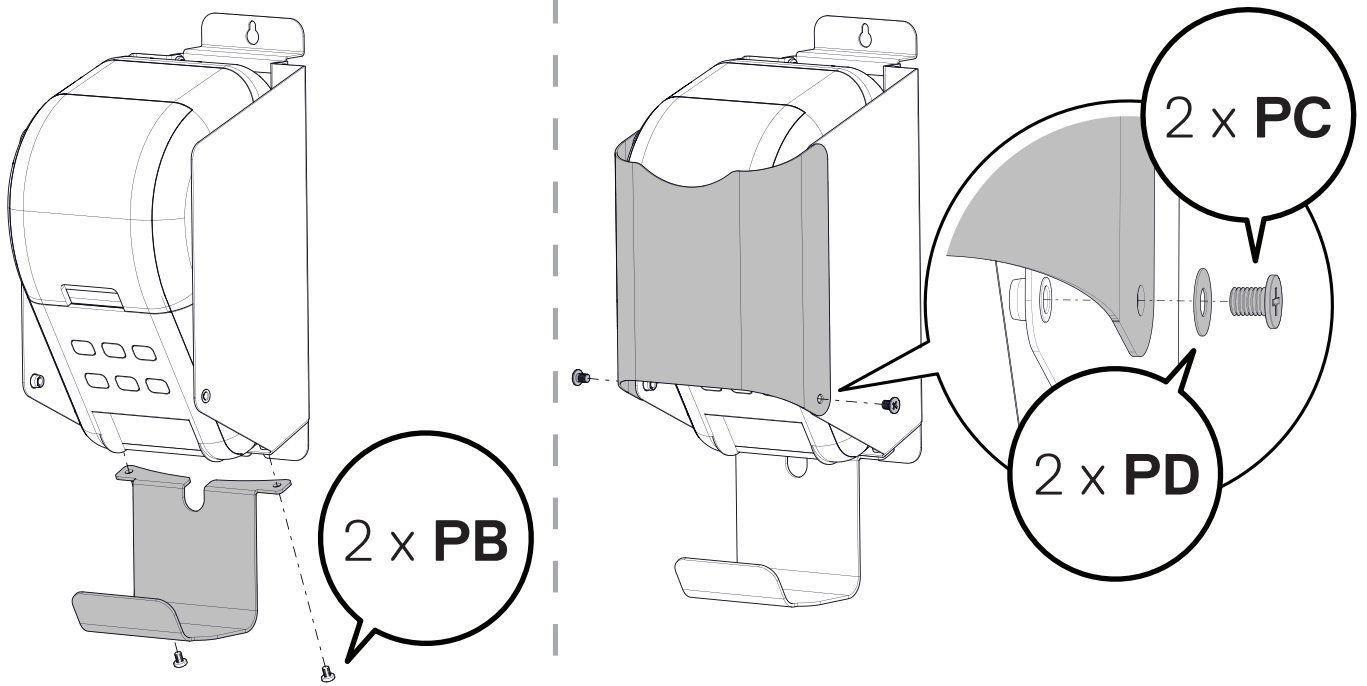
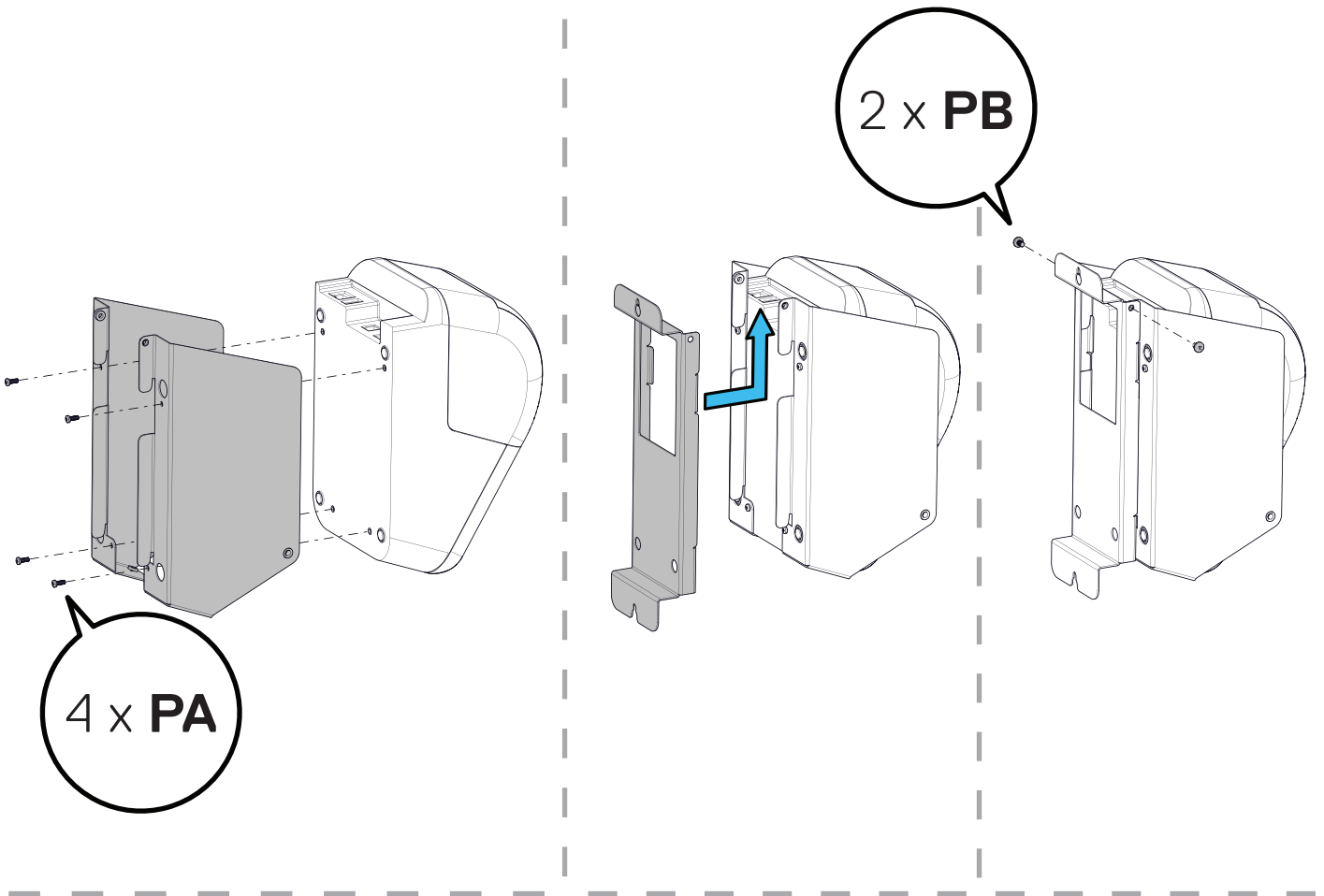
# STEP 3 /10



# STEP 4 /10

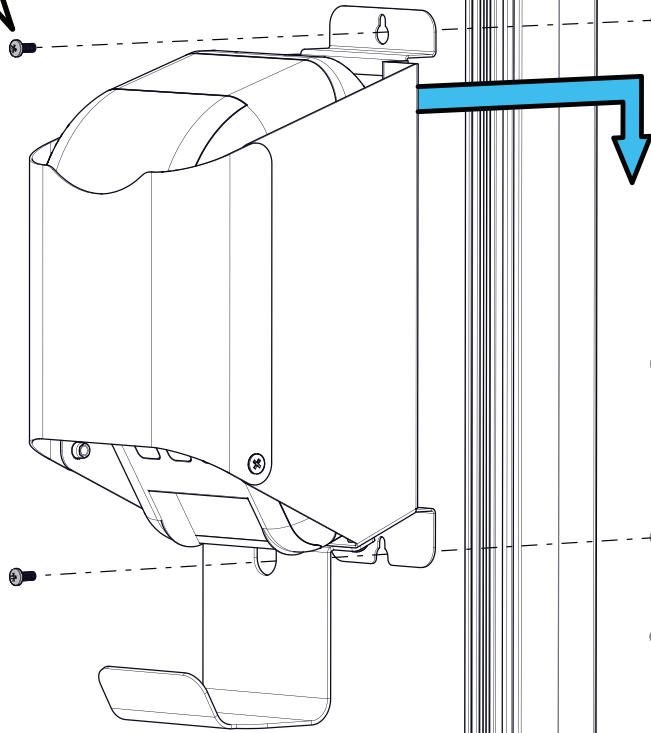


# STEP 5 /10

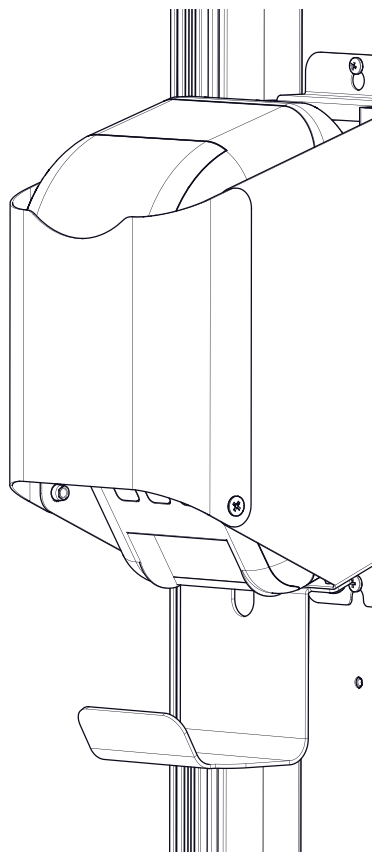


# STEP 6 /10

2 x B

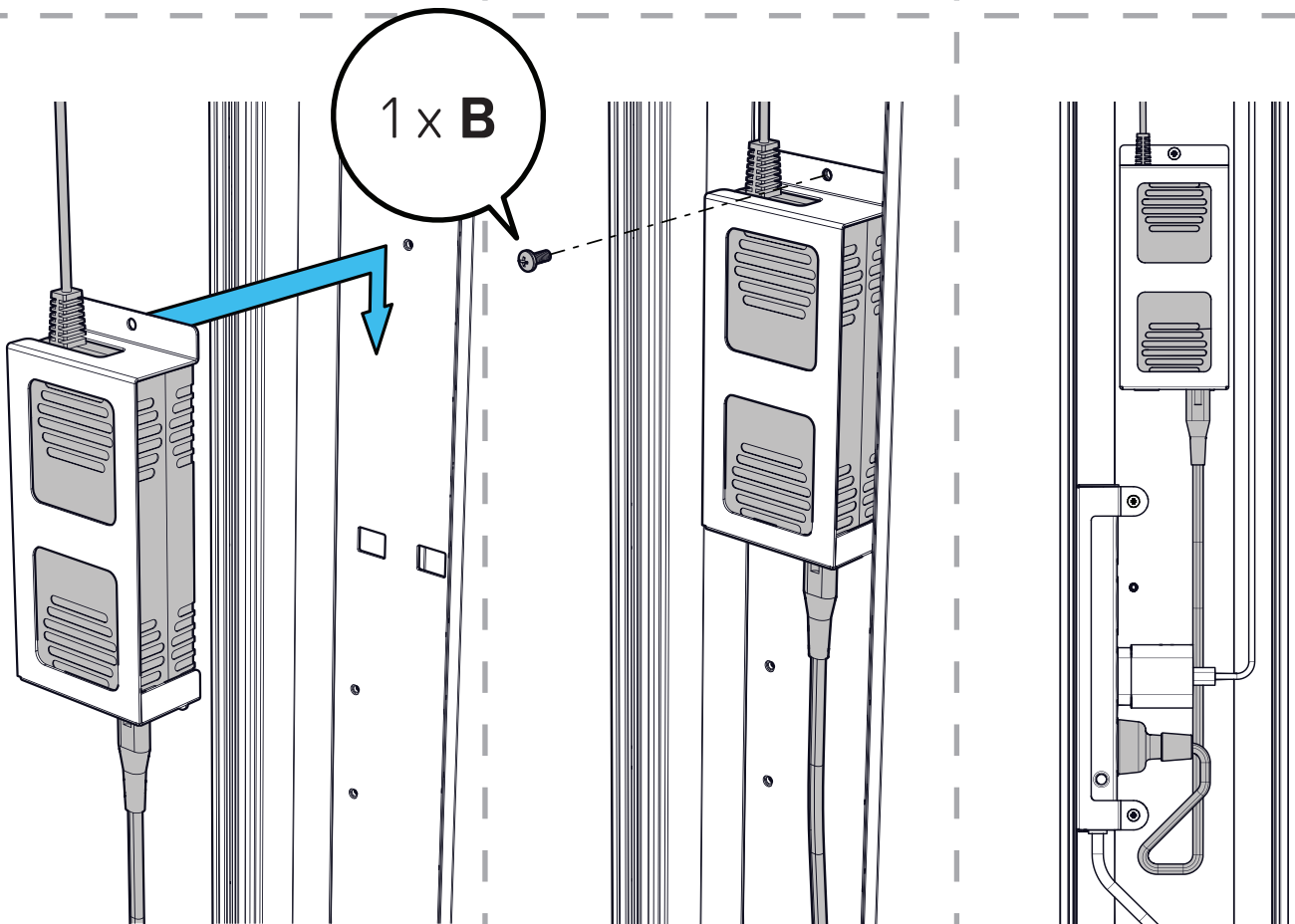
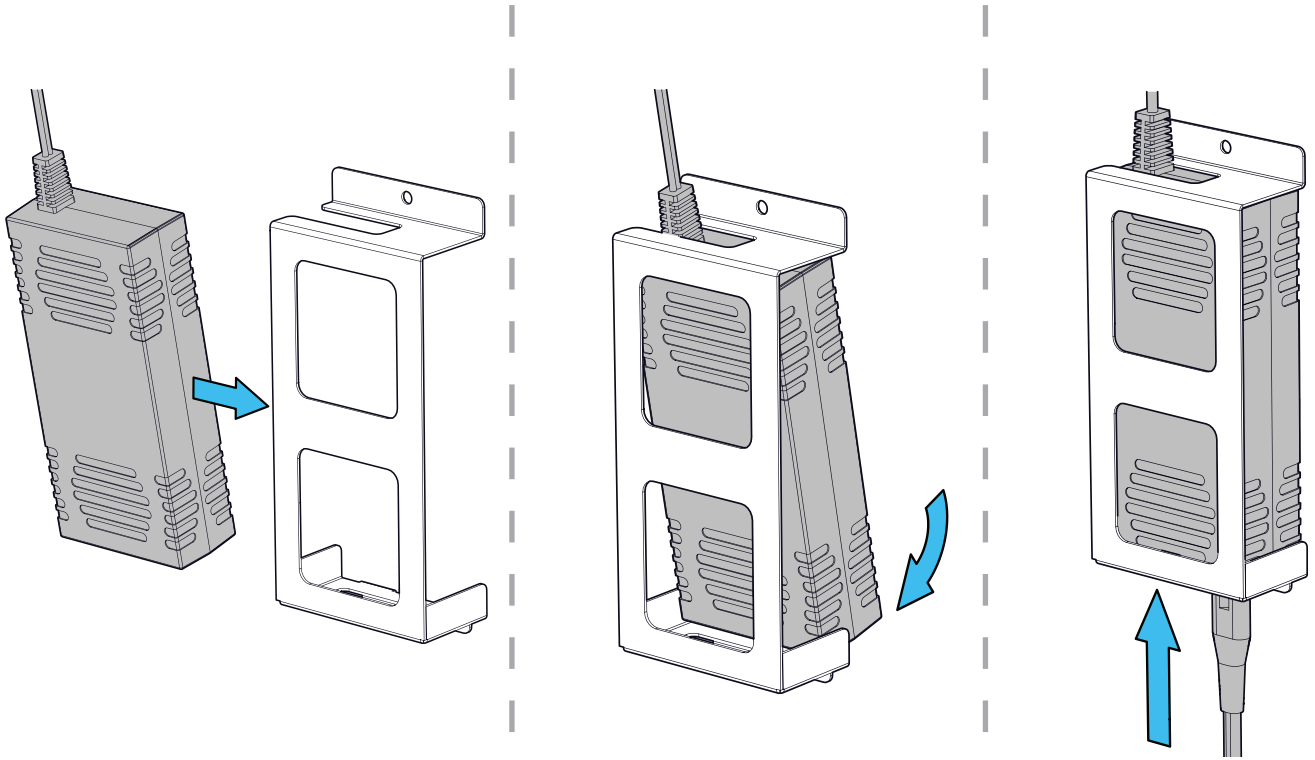


**ALERT:**  
The QR Code label may be obscuring a printer bracket screw insert [highlighted here]. To reveal, please remove the label partially or fully adjacent to the screw insert.

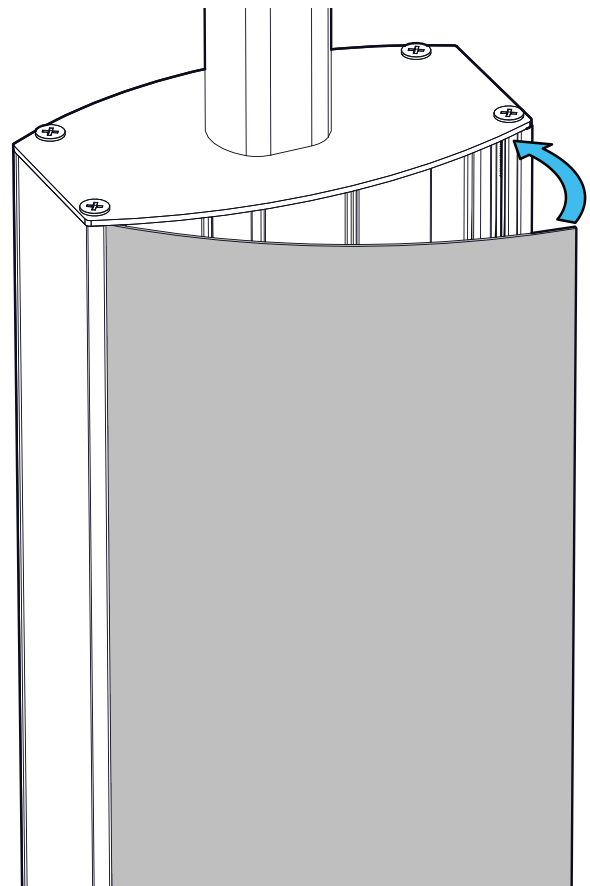
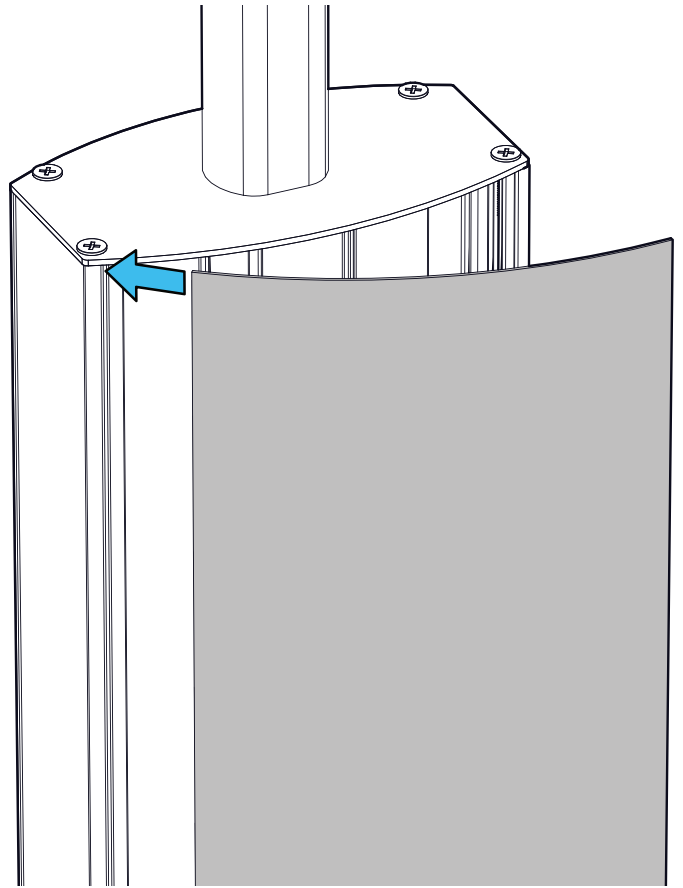
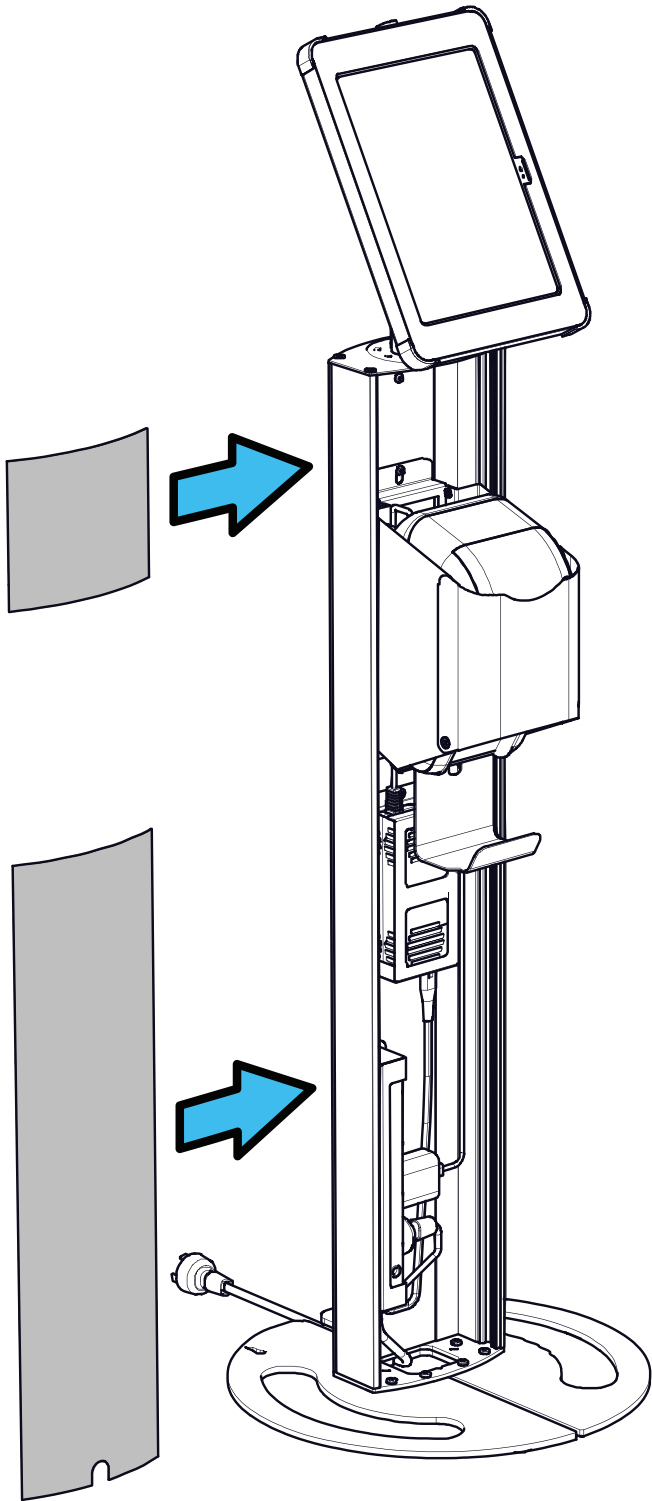




# STEP 7 /10

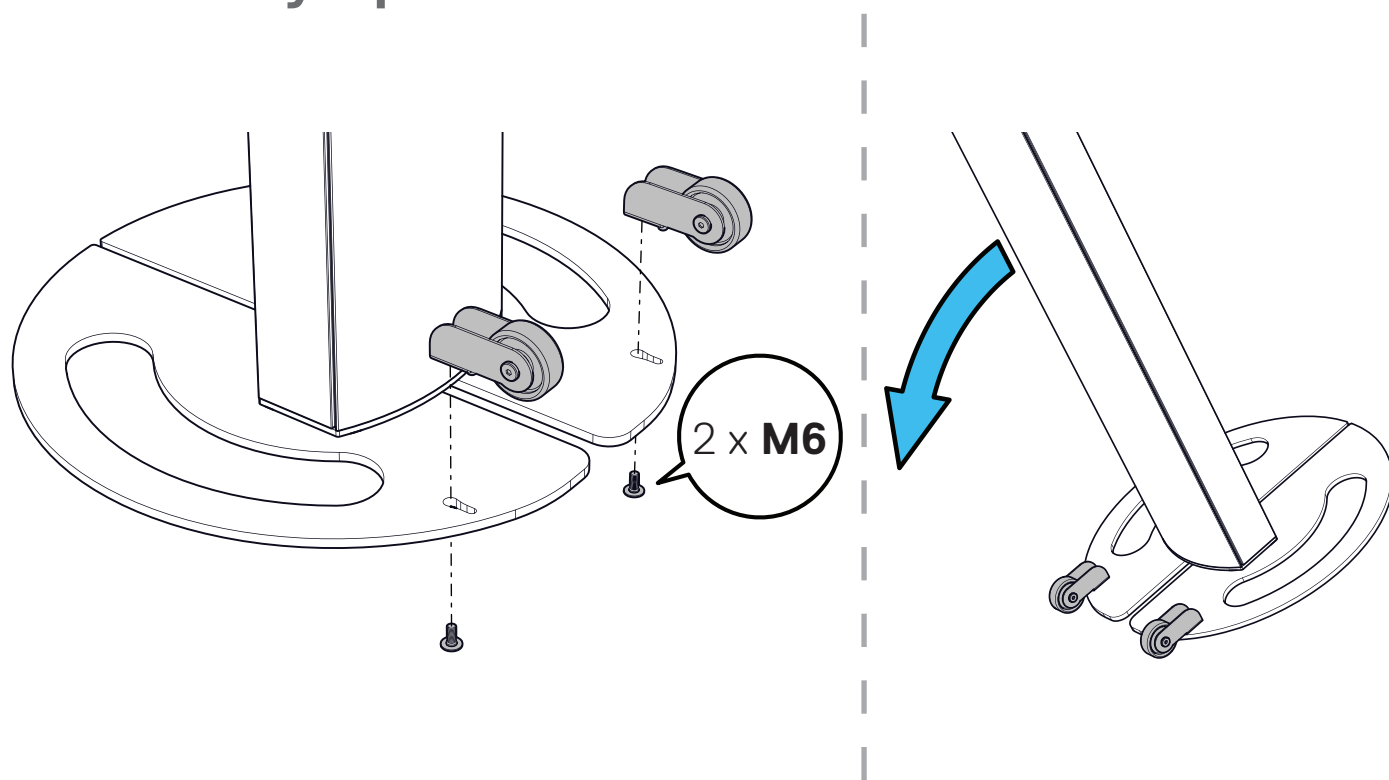


# STEP 8 /10



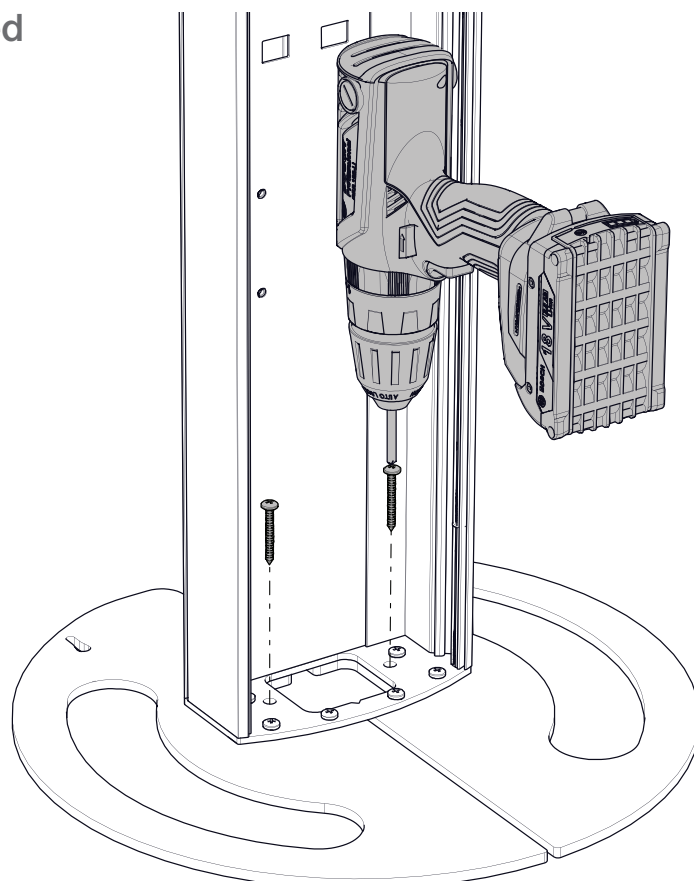
# STEP 9 /10

## Portability option



## Bolt-down option

\*screws not provided



# STEP 10 /10

## Care & Maintenance

