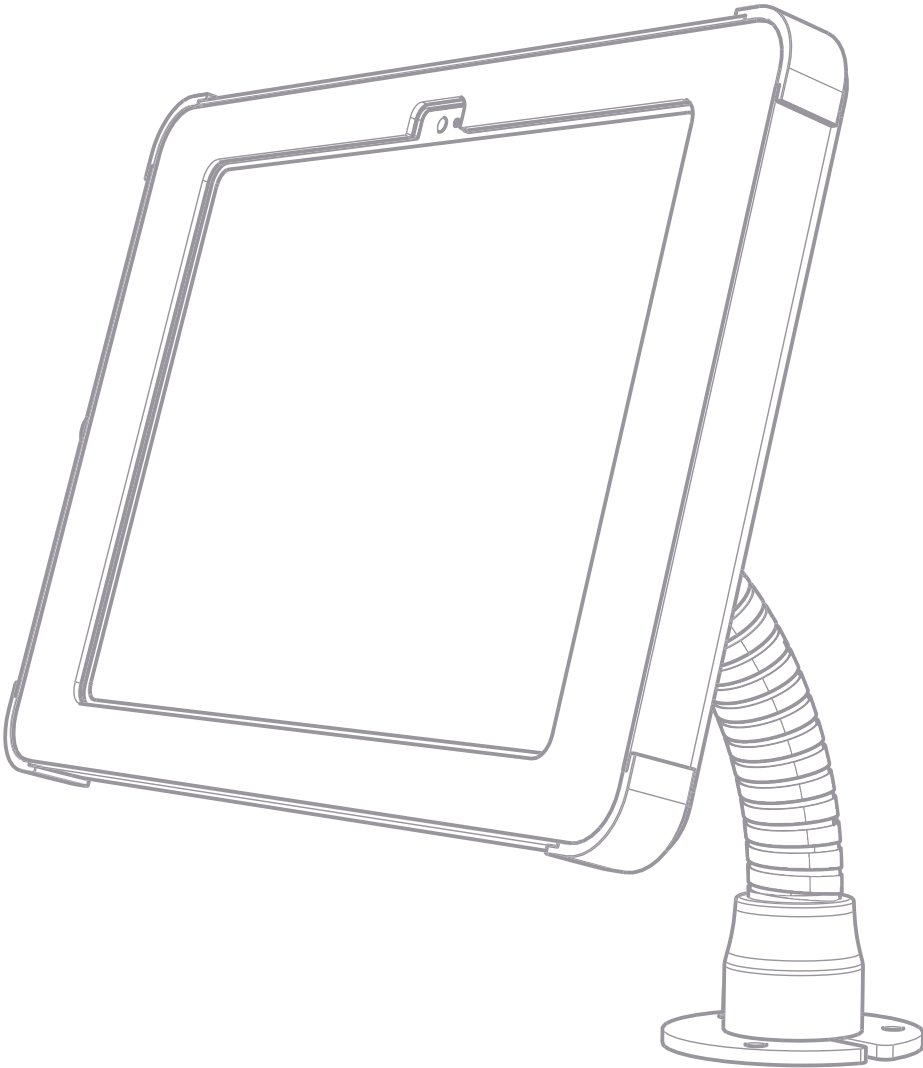


X Series Flex

Version 2.0



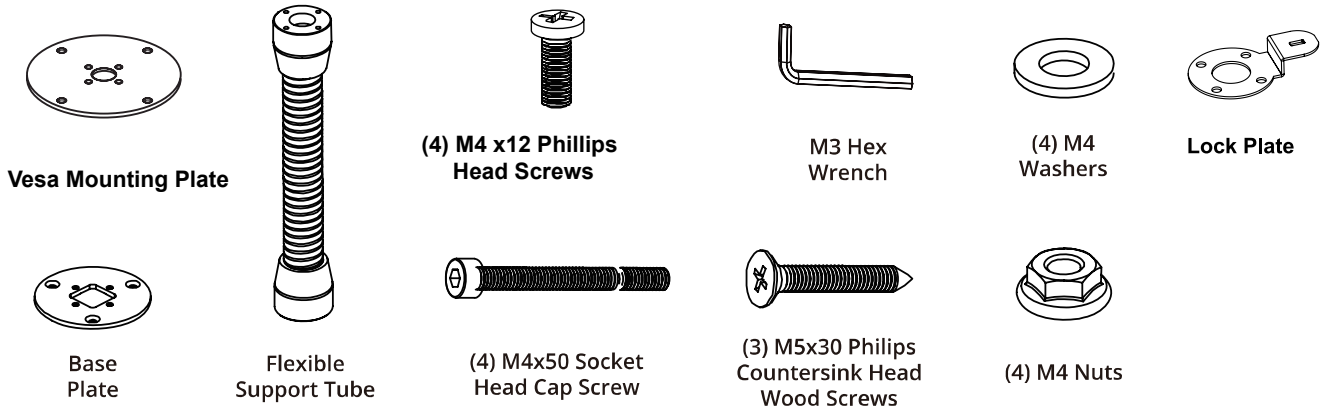
Assembly Guide



X Flex Installation Instructions

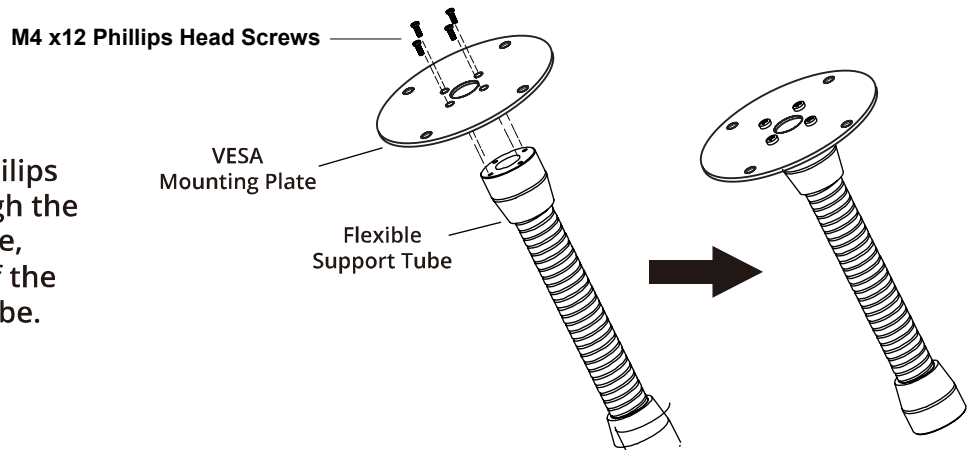
If charging is required, install the charge cable at the tablet first [refer Sprocket tablet installation guide]

Component Checklist

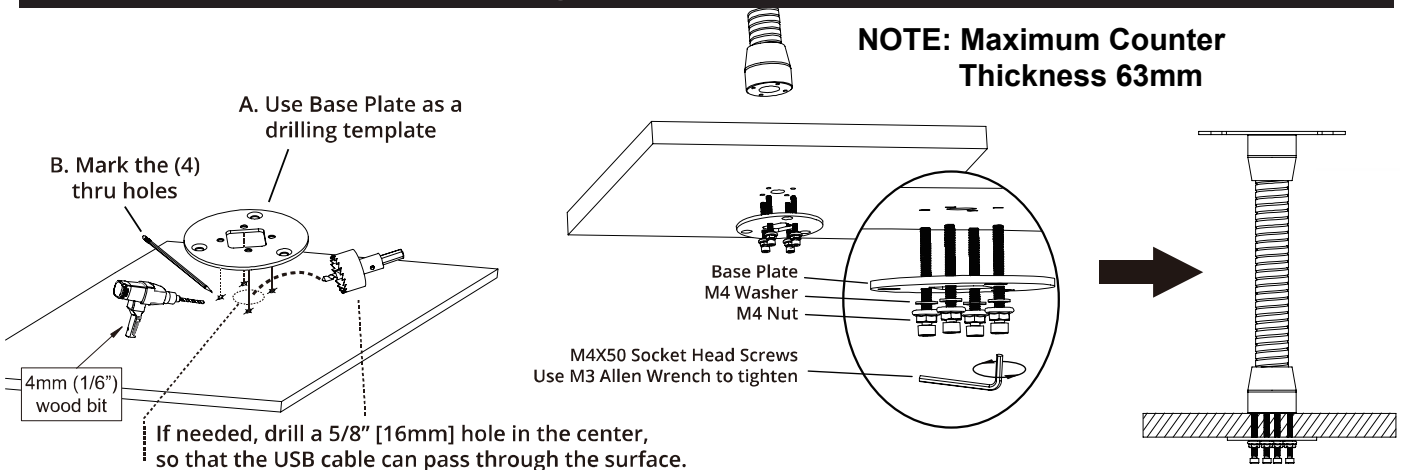


Flexi Tube & VESA Mounting Plate Assembly

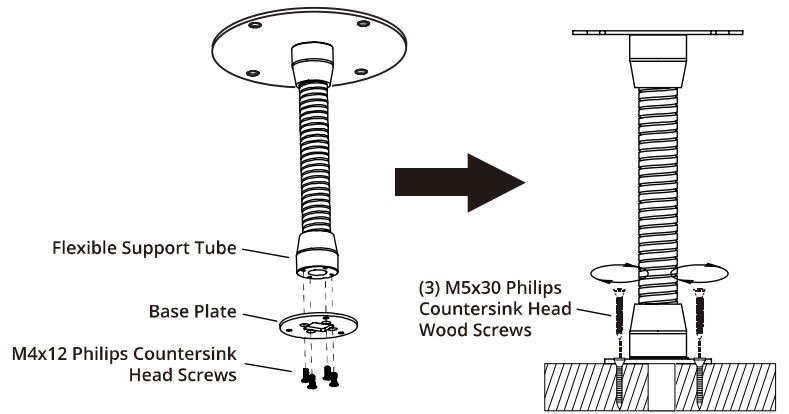
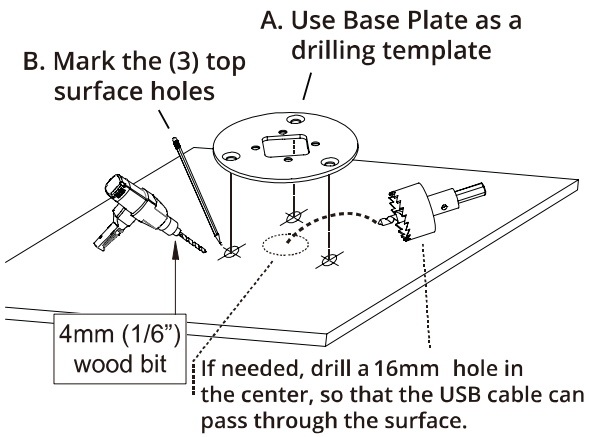
Install (4) M4x12 Philips Head Screws through the VESA Mounting Plate, and into one end of the Flexible Support Tube.



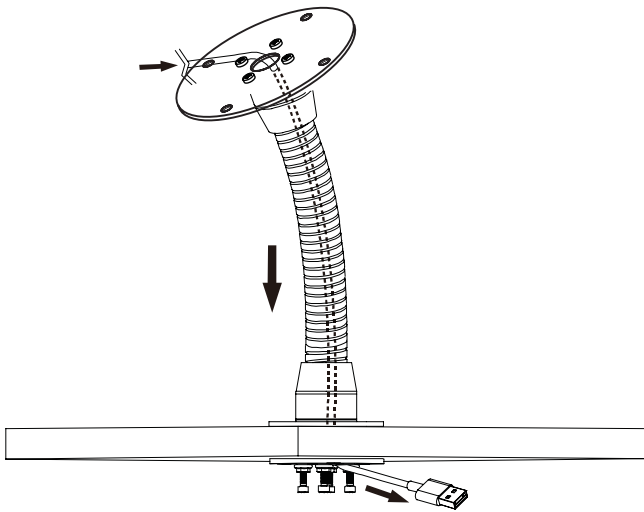
Under Counter Mounting Option



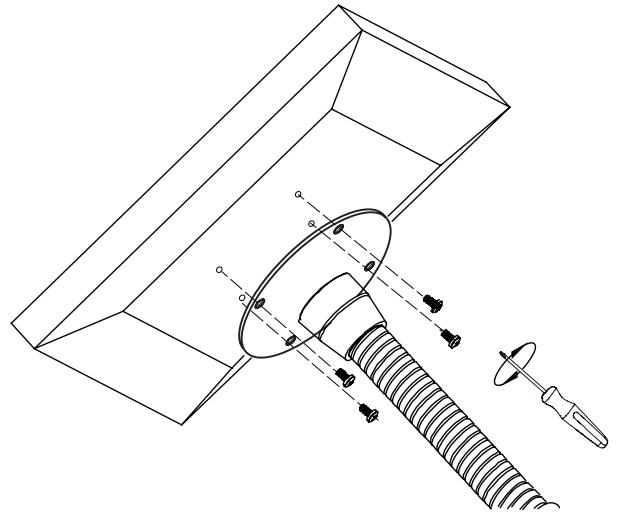
Surface Mounting Option



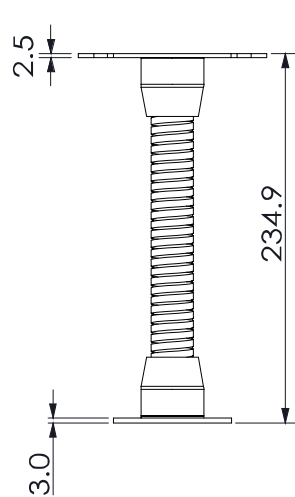
Cable Installation



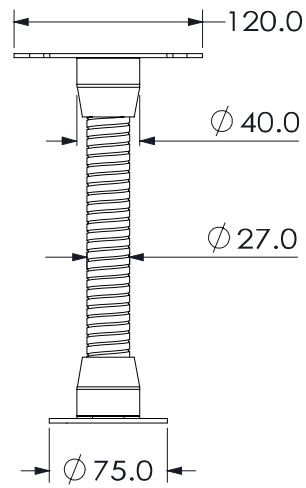
Enclosure Assembly



Dimensions

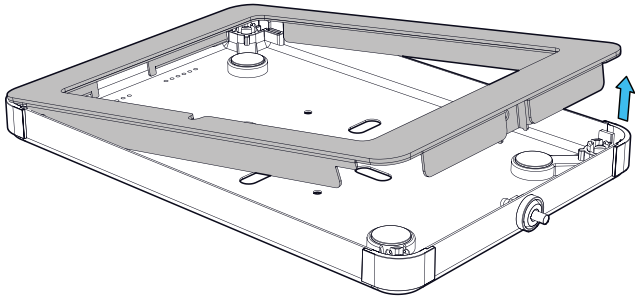
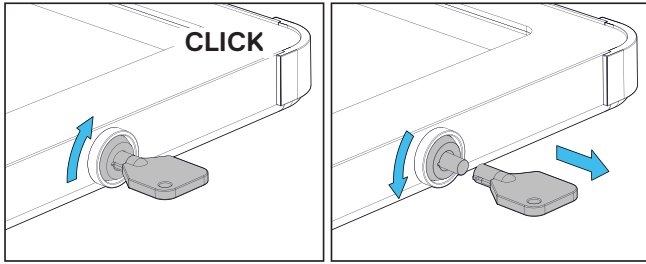


Front View

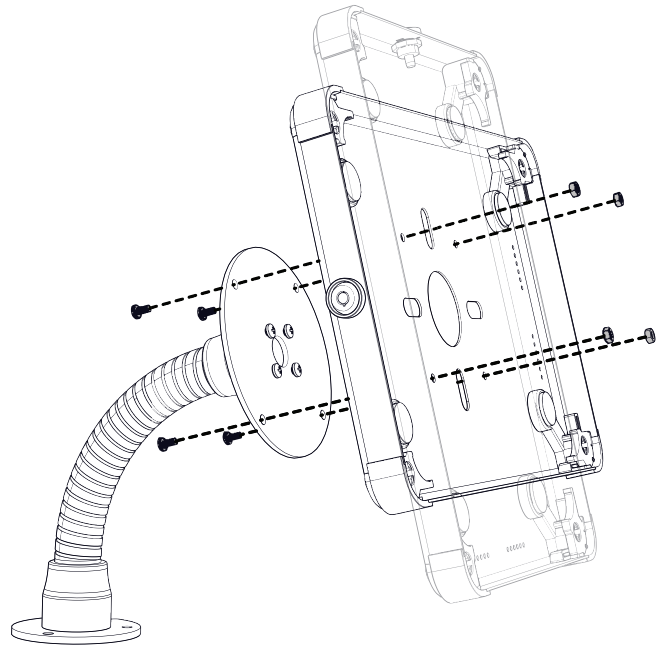


Left View

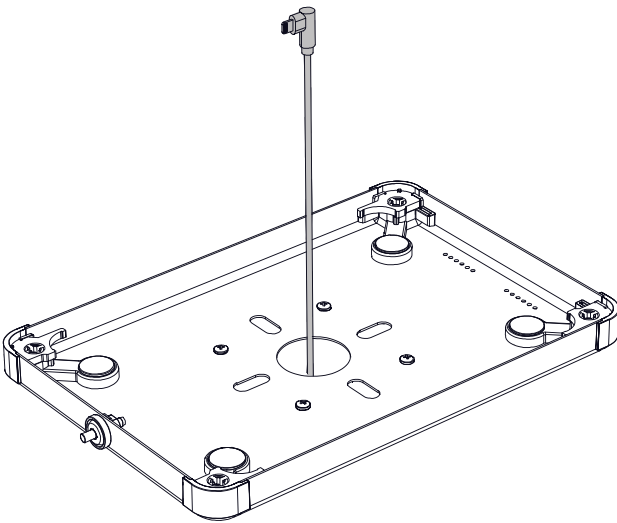
1 / 5



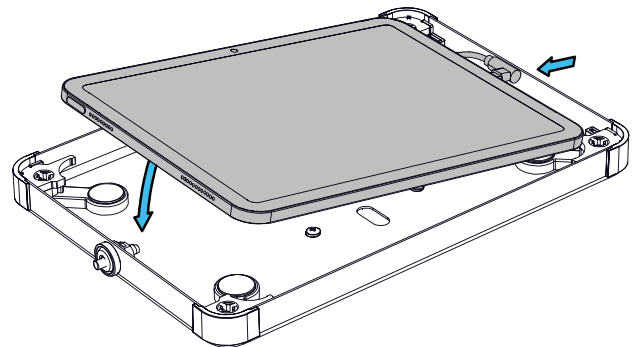
2 / 5



3 / 5



4 / 5



5 / 5

