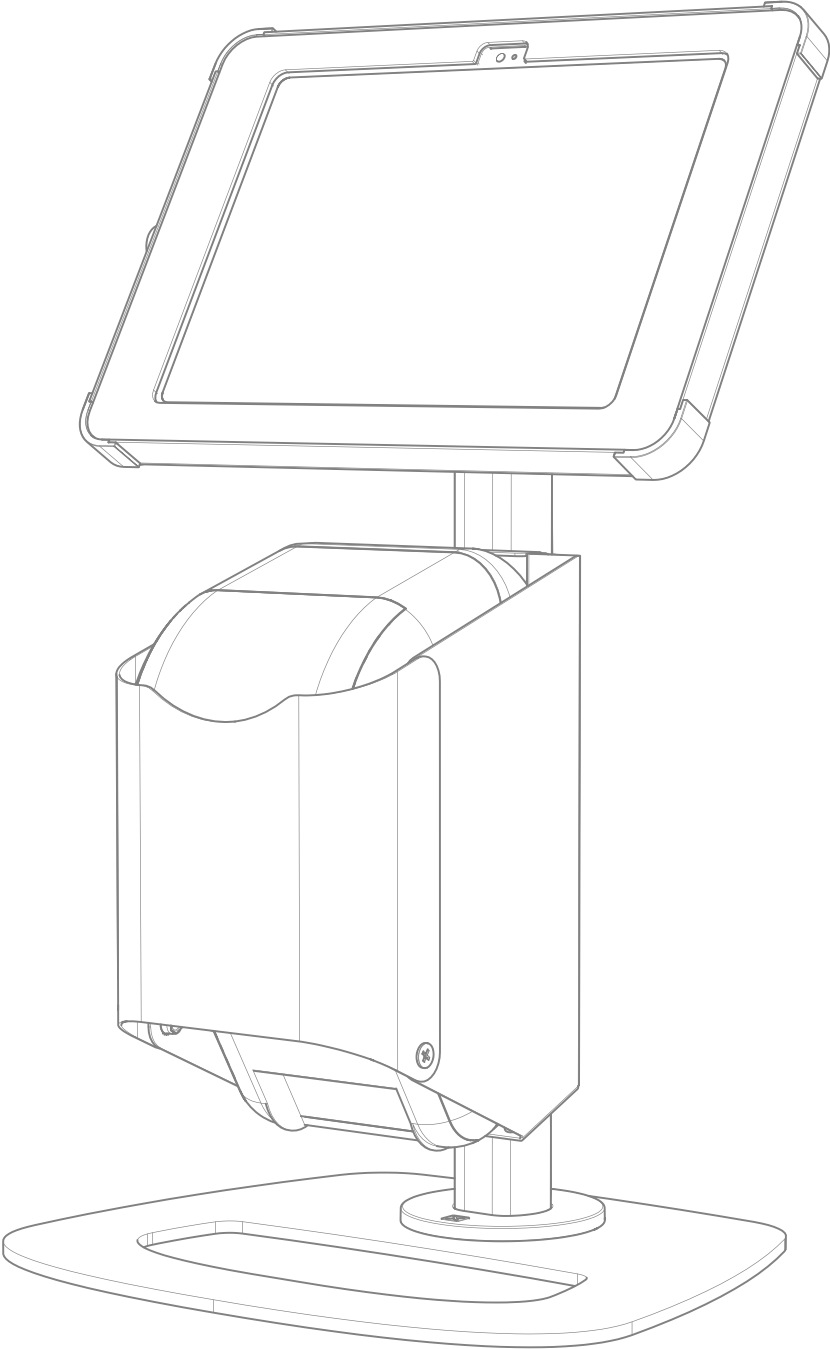


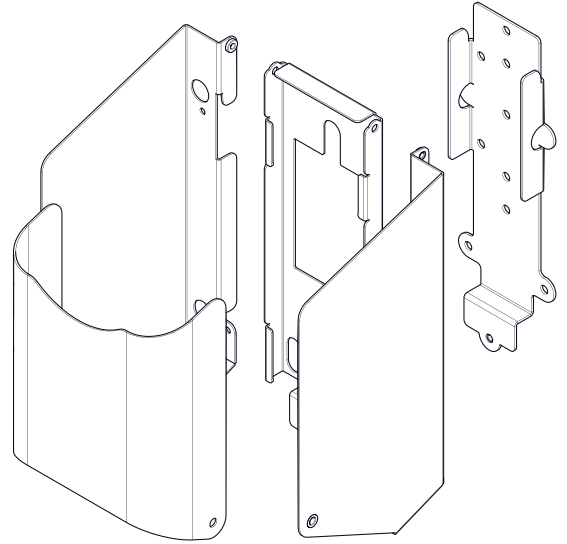
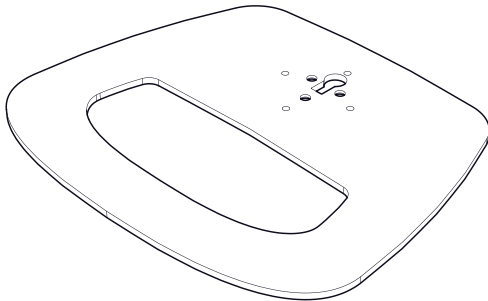
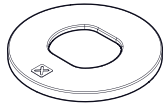
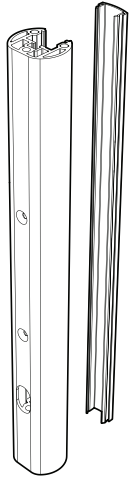
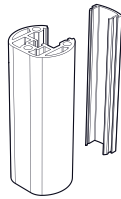
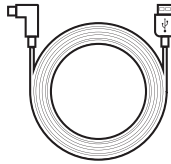
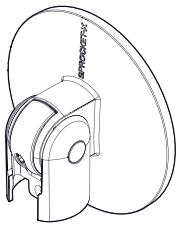
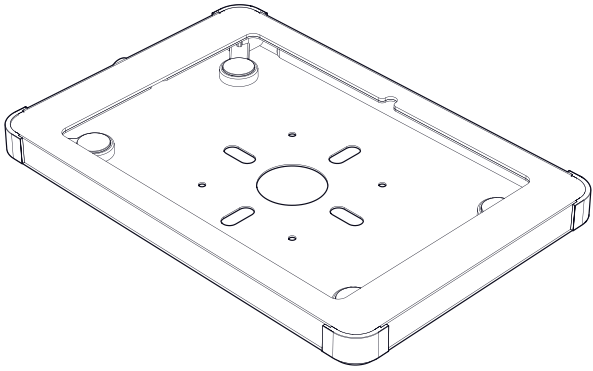


Assembly Guide

X Series Print Mini

Version 1.1



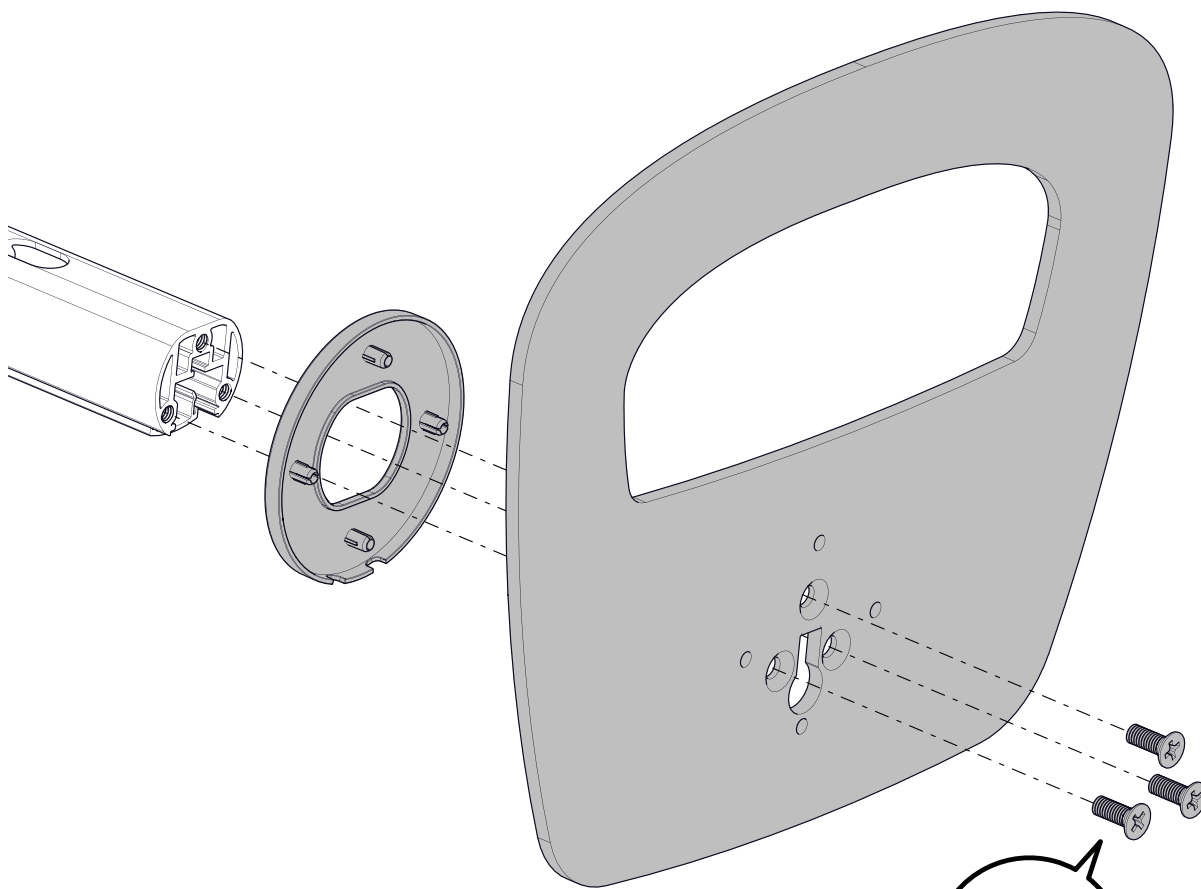


A	B	C	D	E	F	G
M5x10	M4x10	M6x16	M4x6	M3x8		10Gx25
x6	x9	x4	x4	x4	x1	x4

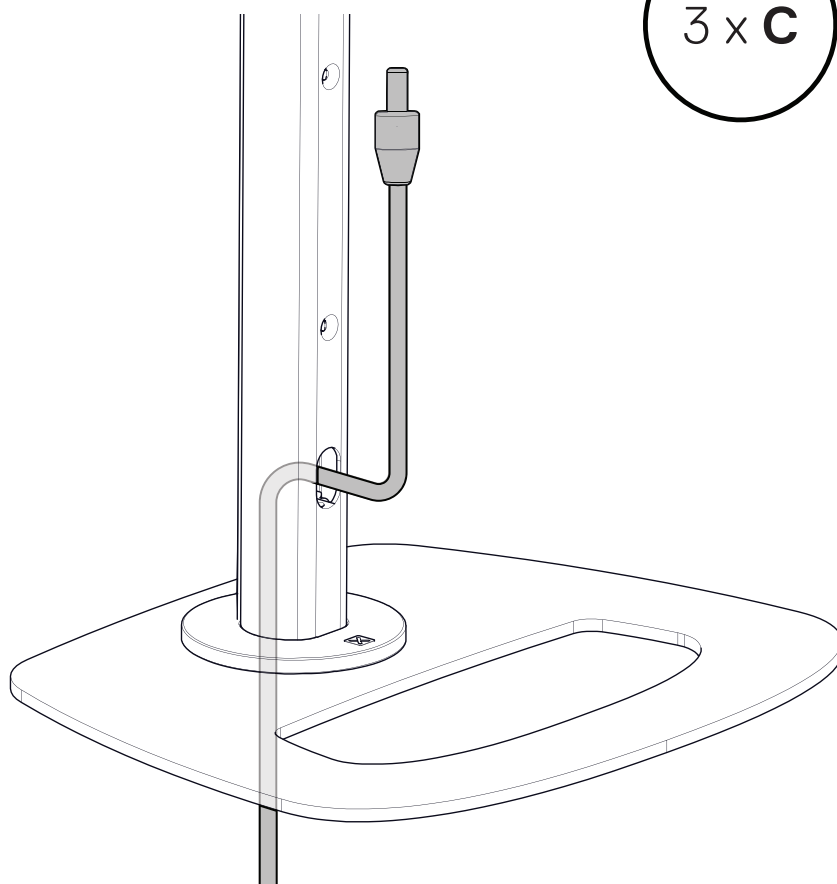
PA	PB	PC	PD
M3x8	M4x6	M5x8	M5 Nylon Washer
x4	x5	x2	x2

PE	PF
M5x25	M5x12
x4	x2

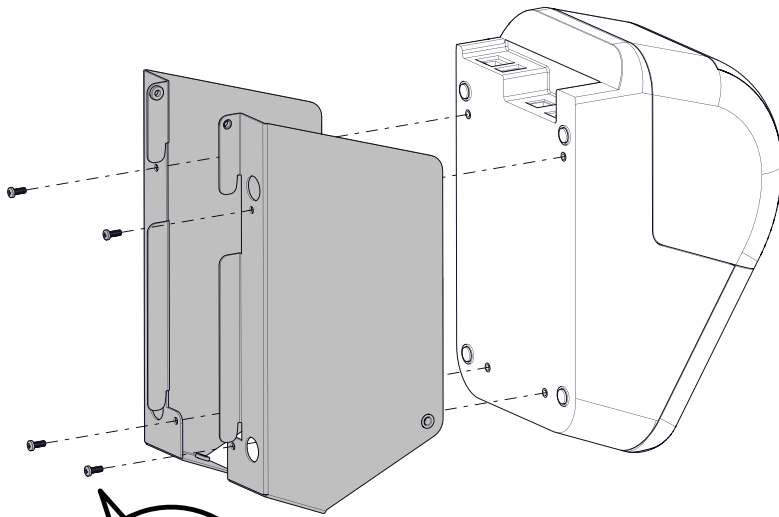
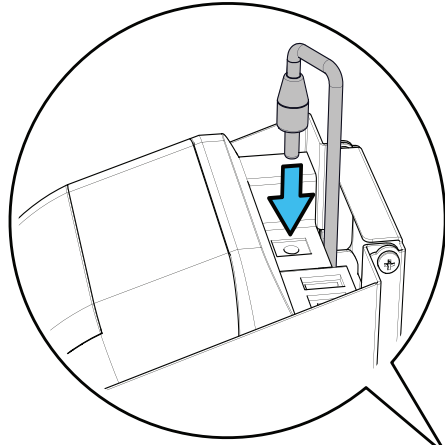
STEP 1 /7



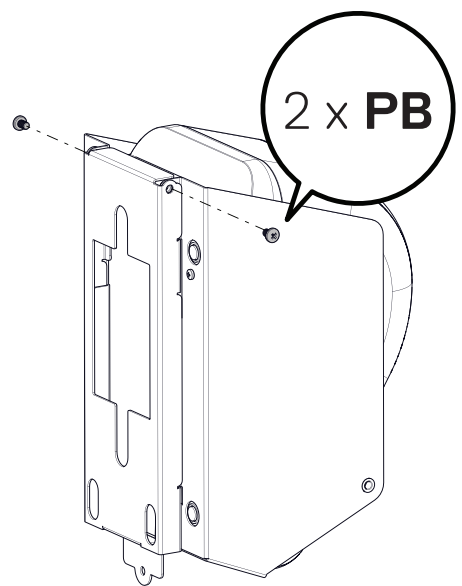
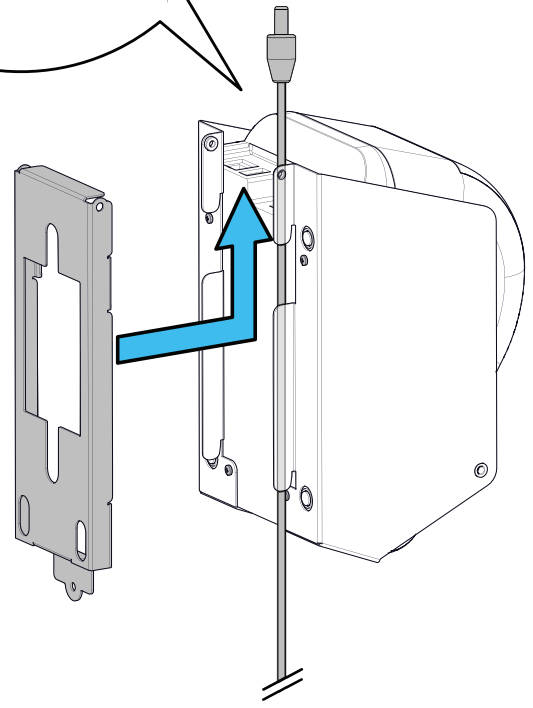
3 x C



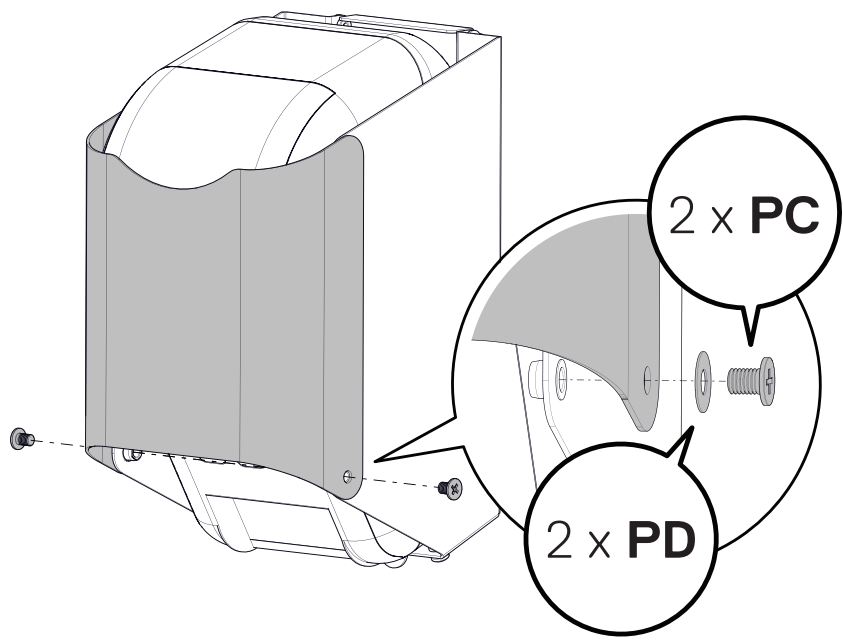
STEP 2_{/17}



4 x **PA**



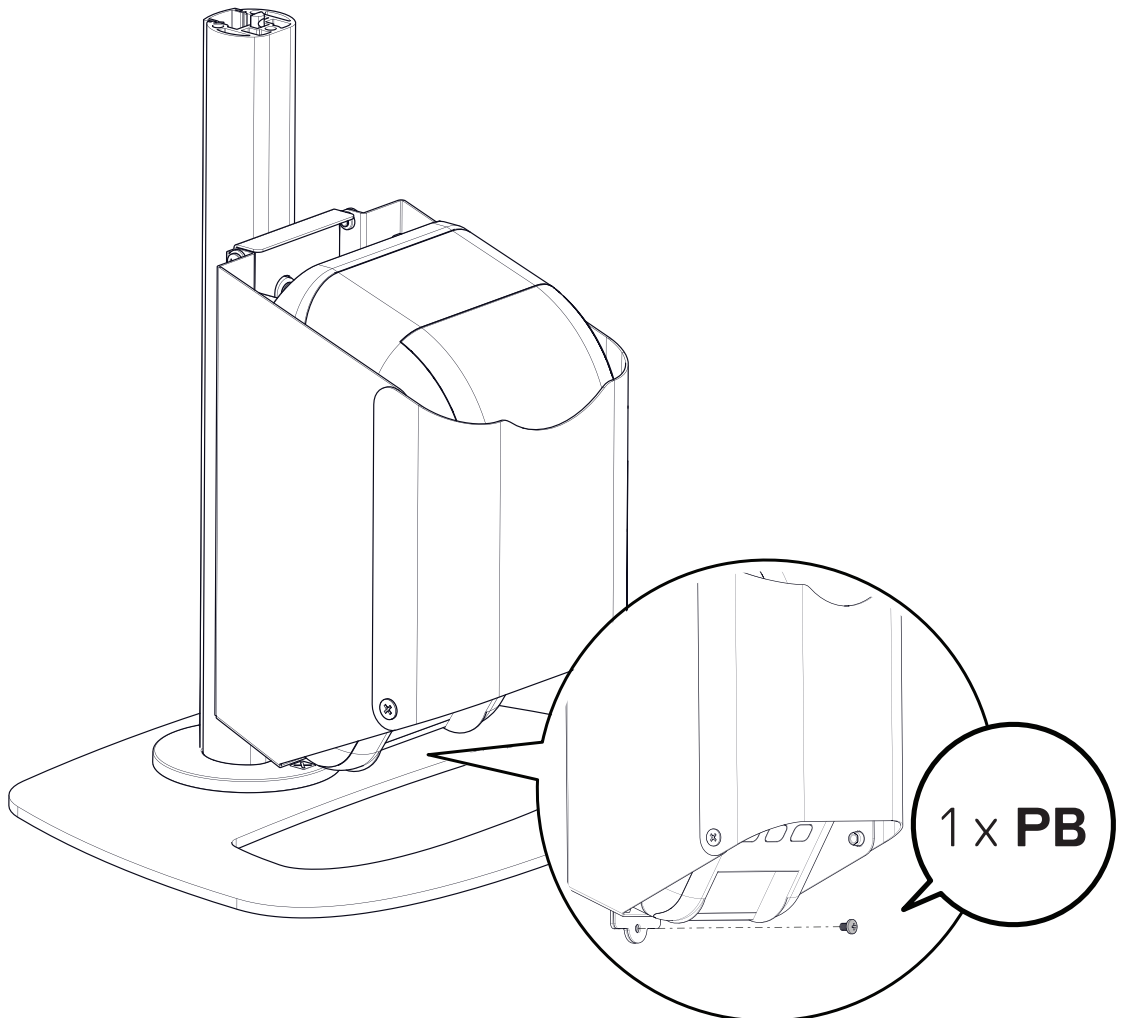
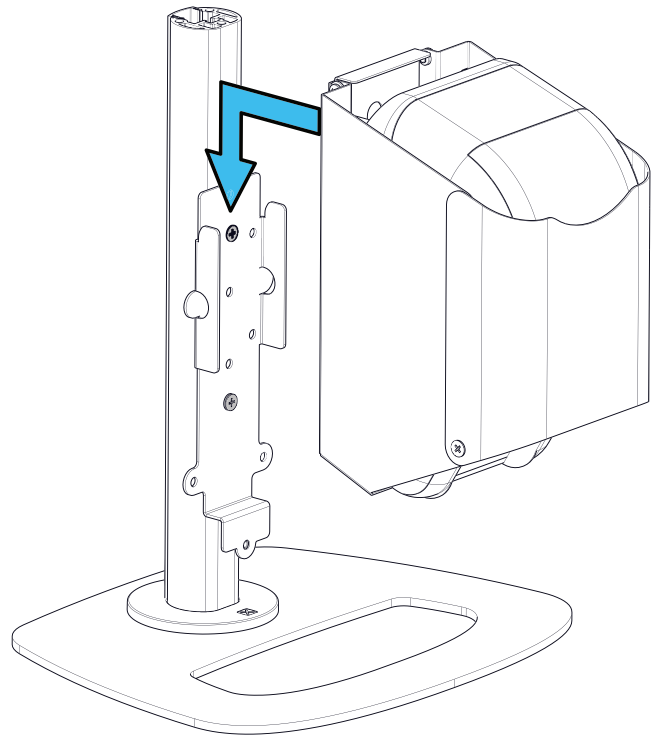
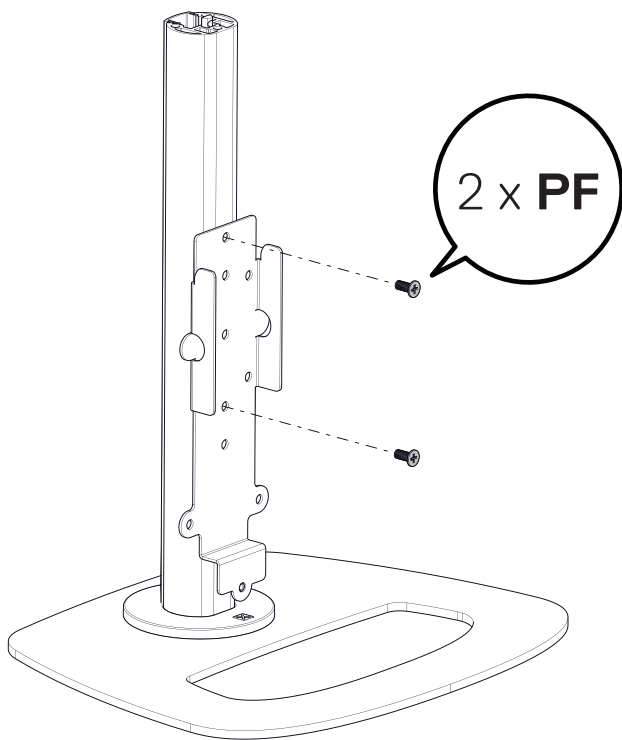
2 x **PB**



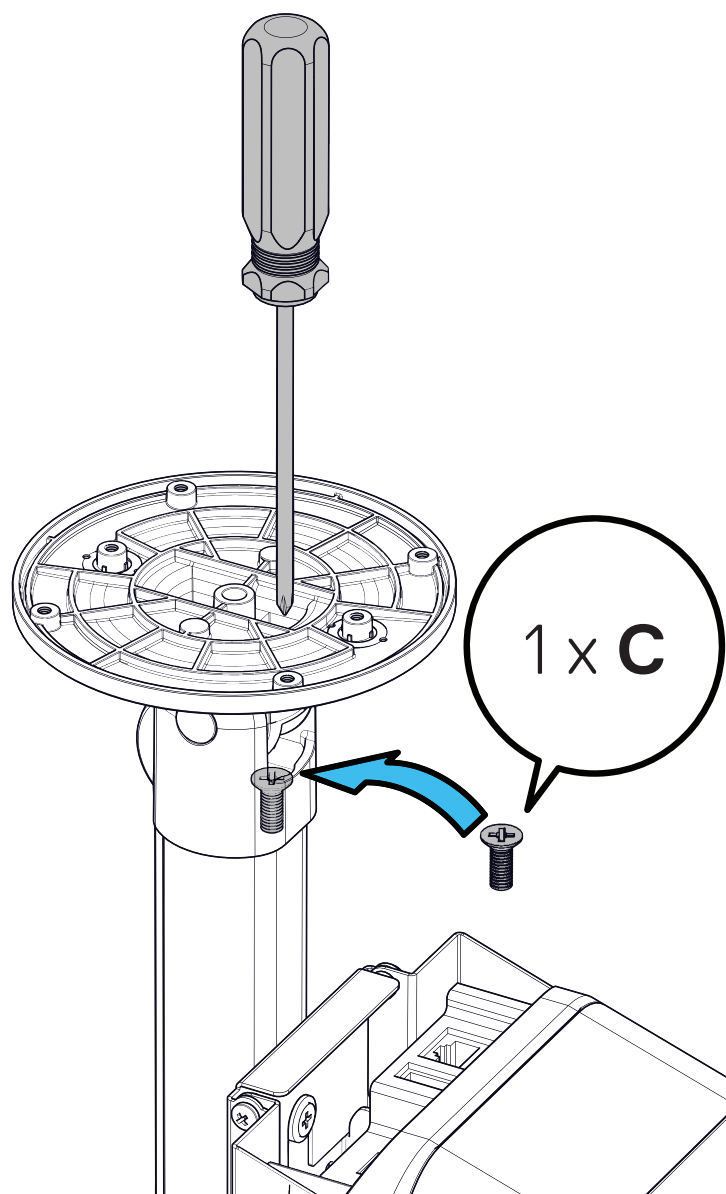
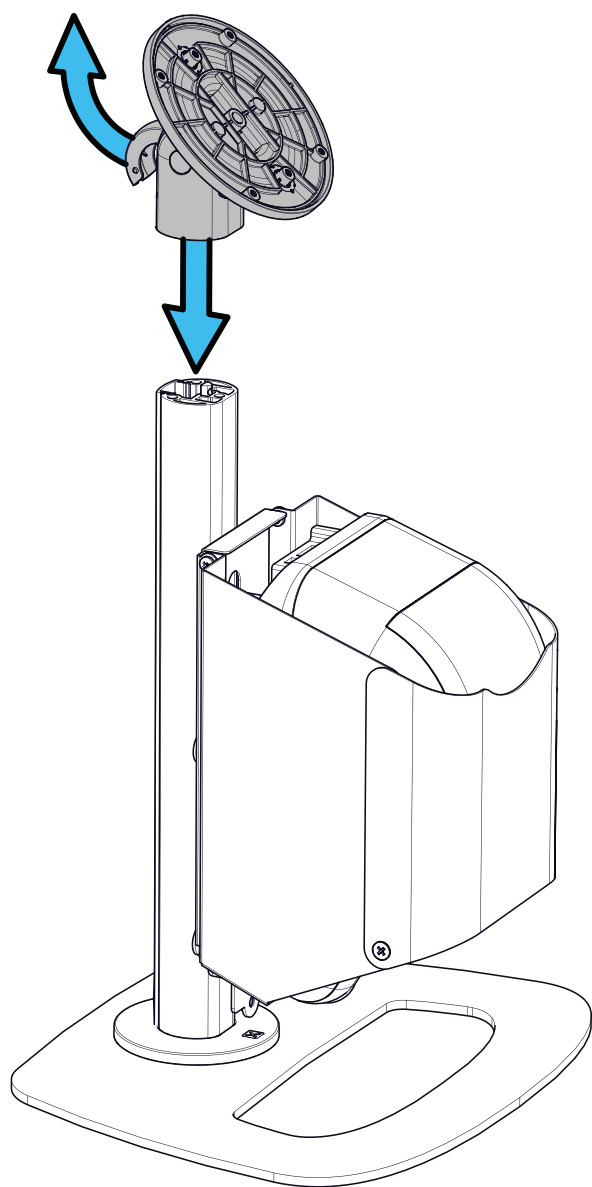
2 x **PC**

2 x **PD**

STEP 3 /7

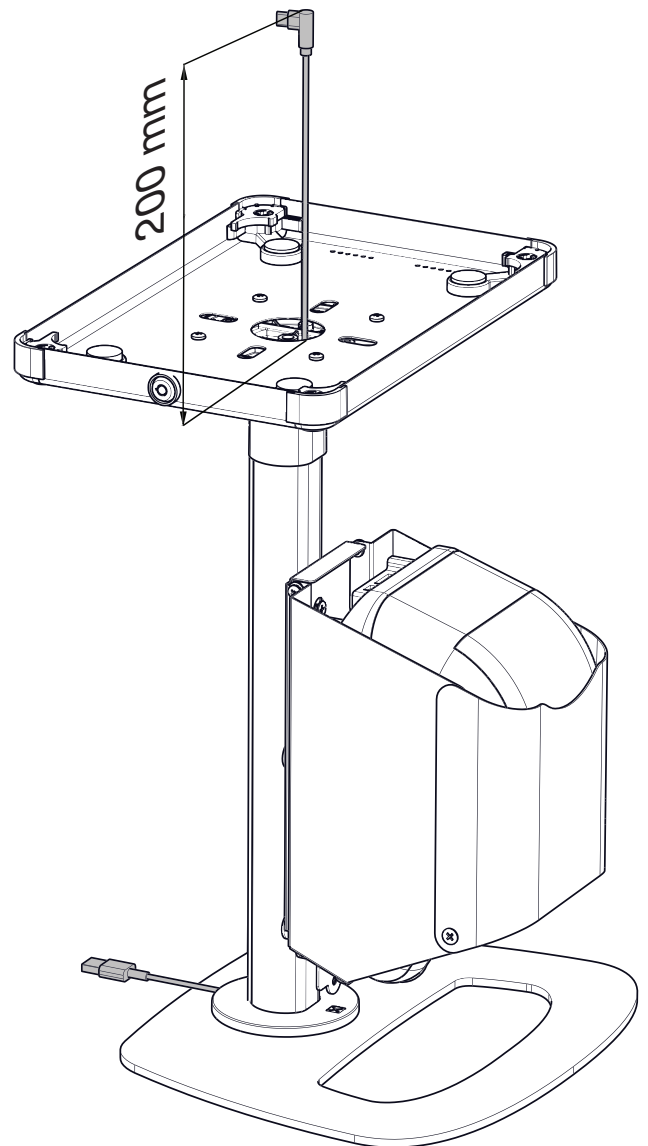
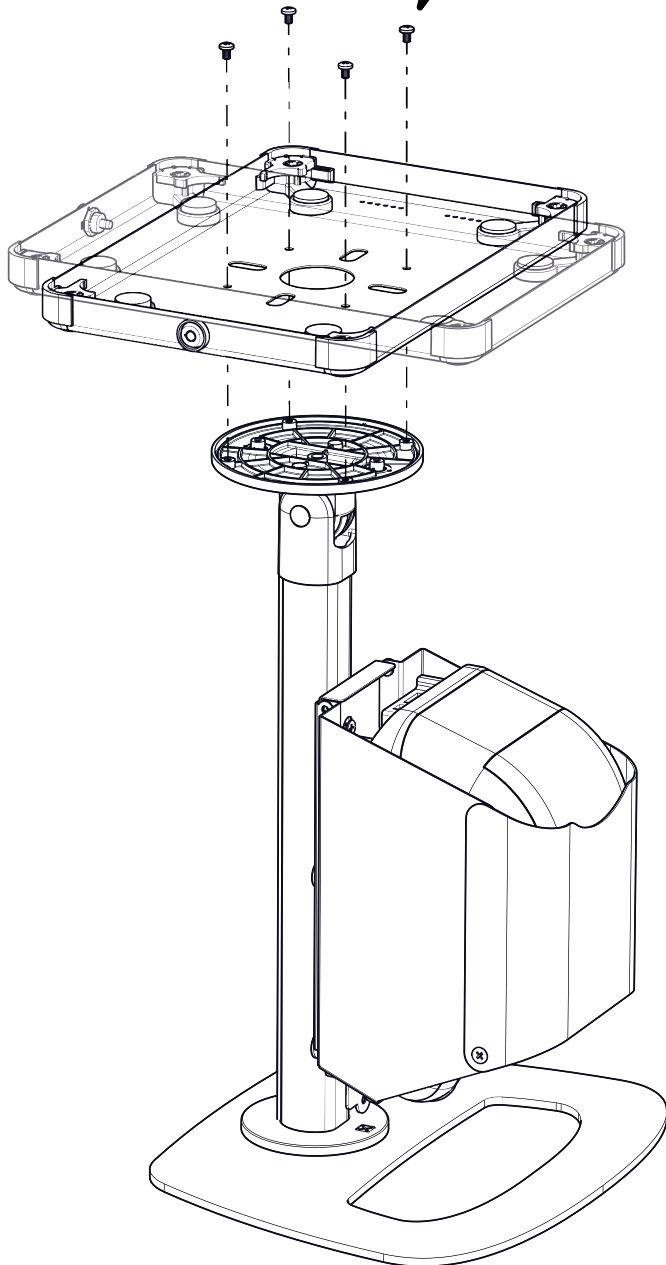


STEP 4 /17

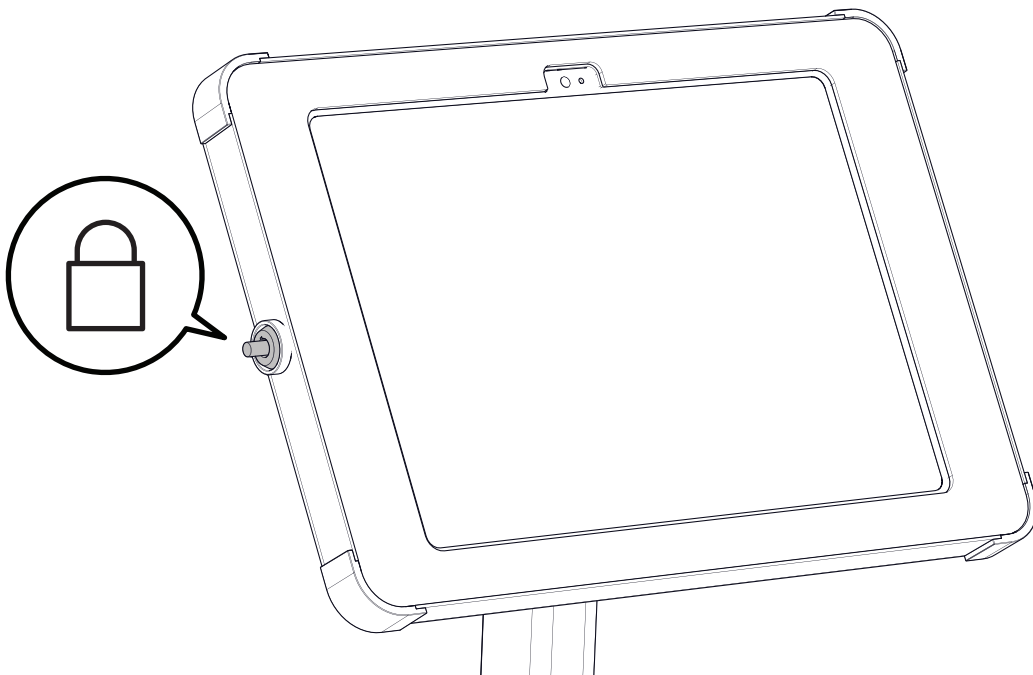
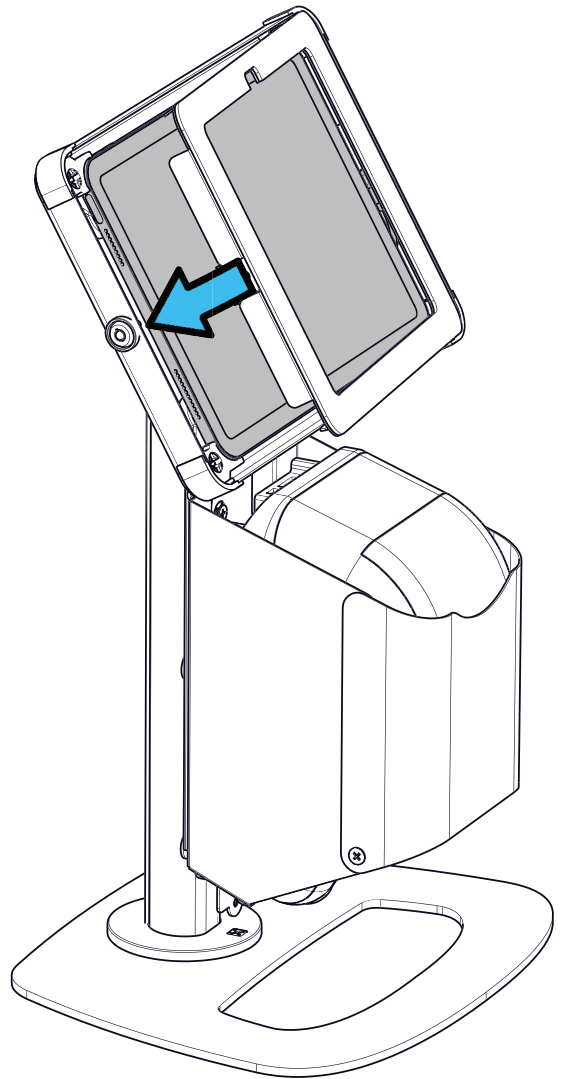
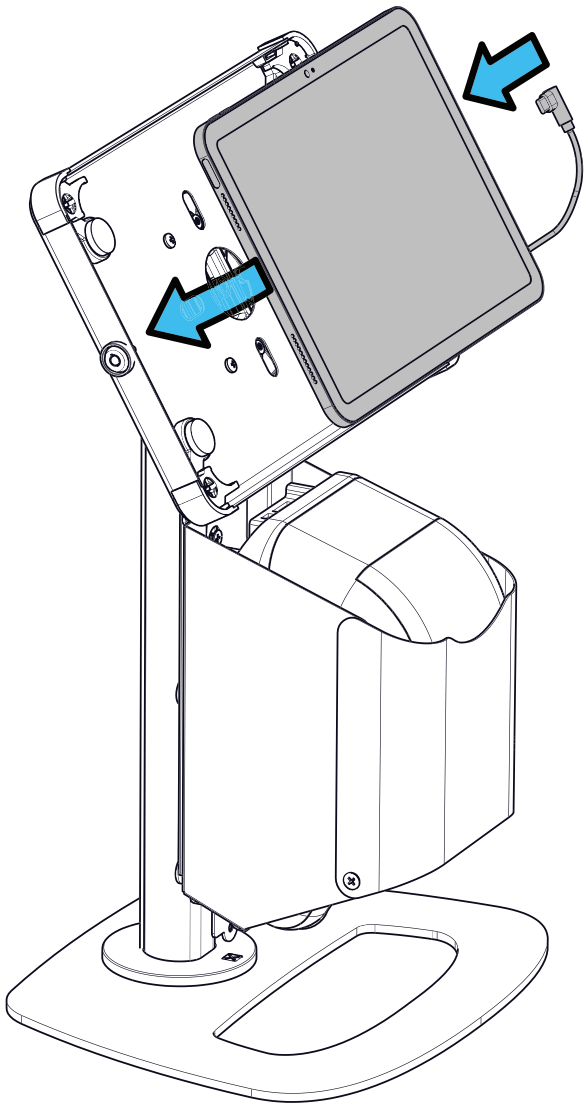


STEP 5 /17

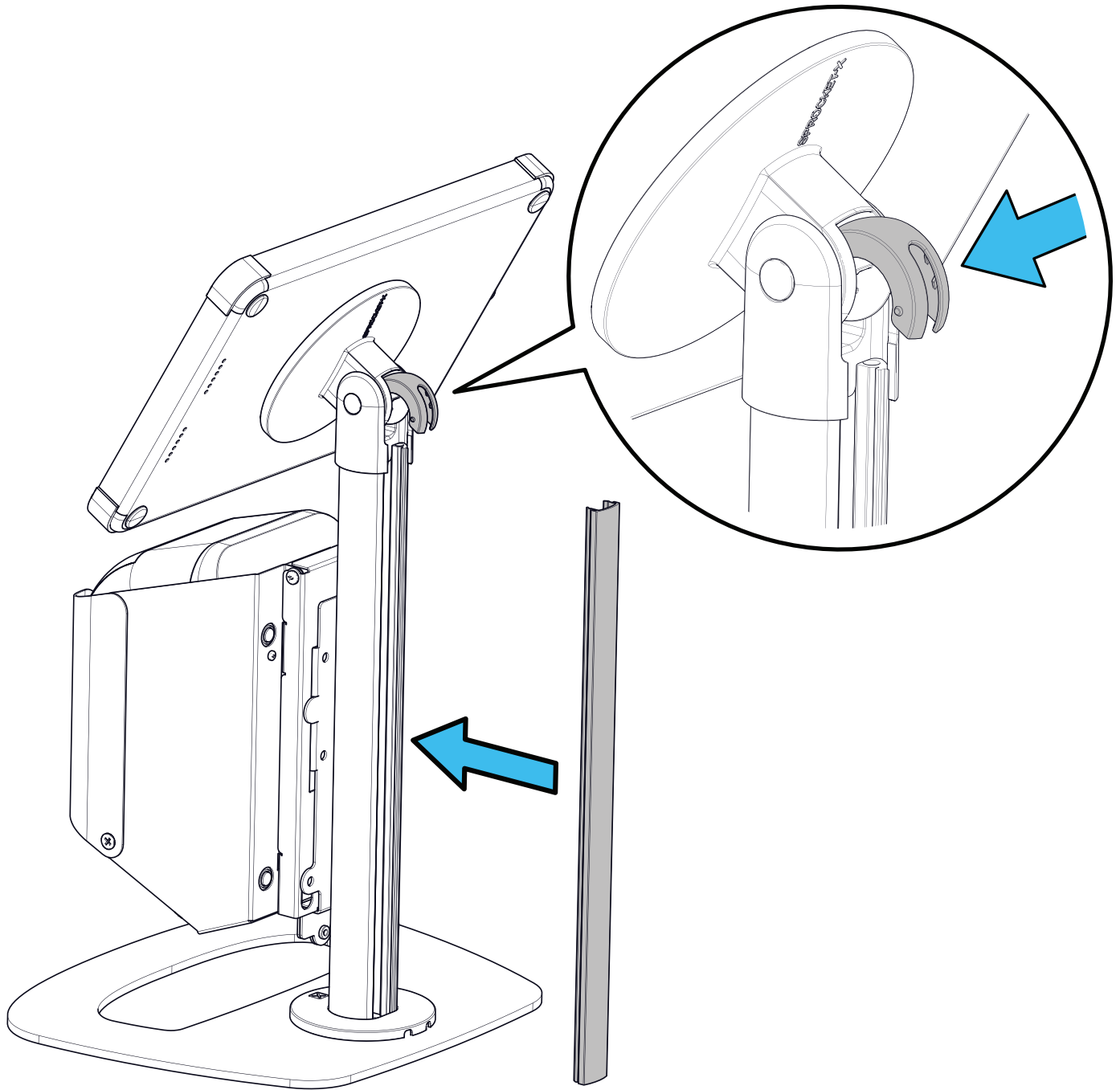
4 x D



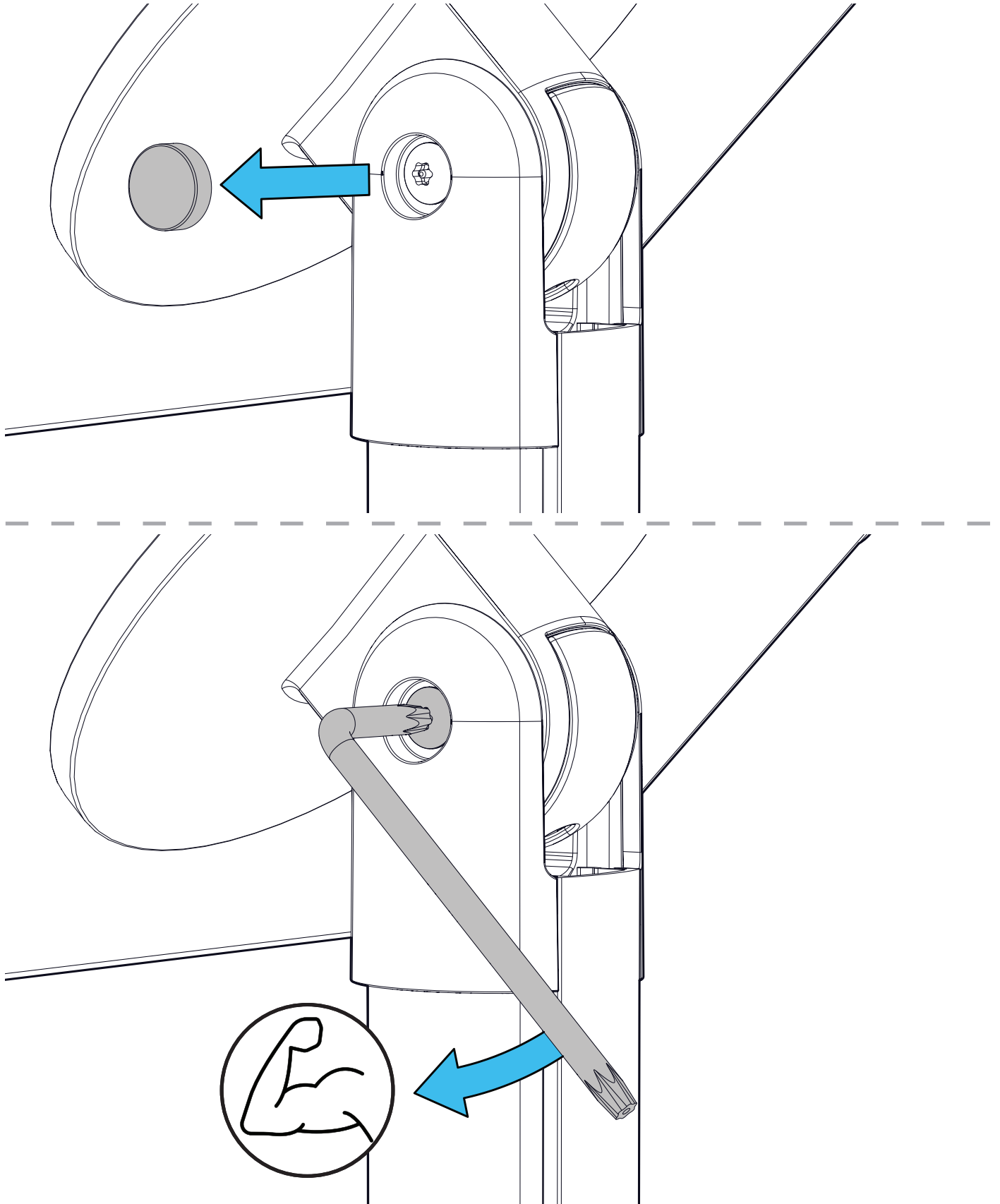
STEP 6 /17



STEP 7 /17



CARE + MAINTENANCE



For aftersales support please contact us via:
Email: sales@sprocket.com.au
Phone: +613 9537 3799